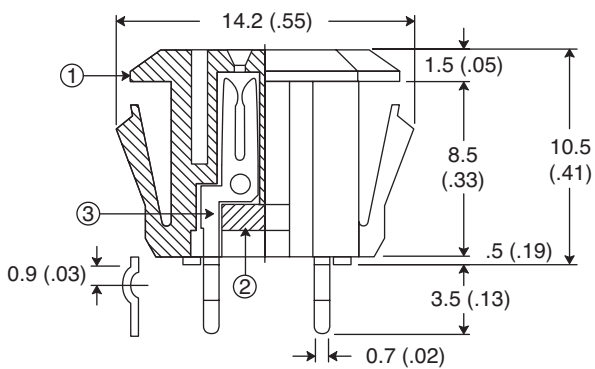
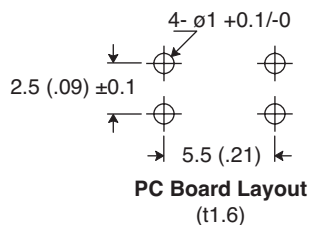
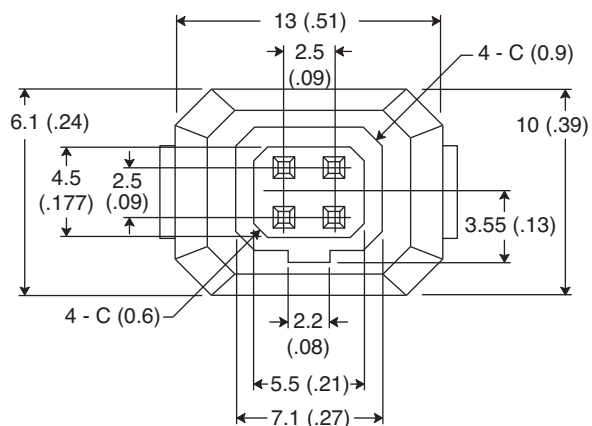


# Panel Mount Iris Connector for PCB

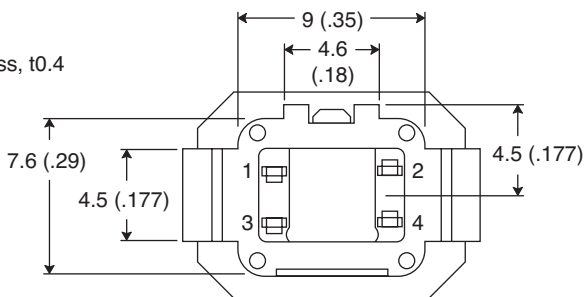
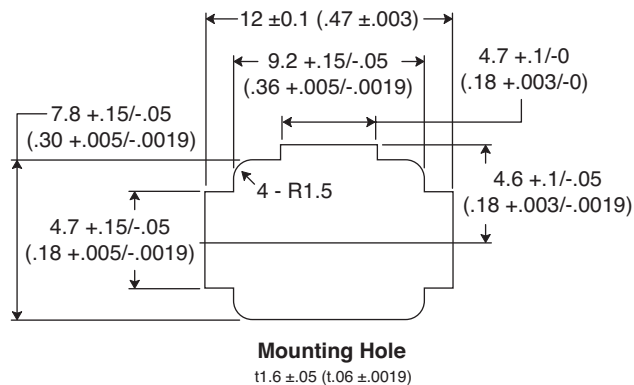
163-156N-2



Panel Mount Iris Connector for PCB



- 1. Body, PA
- 2. Base, PF
- 3. Contact. Brass, t0.4



Dimensions: mm (In.)

| ELECTRICAL SPECIFICATIONS     |                       |
|-------------------------------|-----------------------|
| <b>Rating:</b>                | 0.5A 30VDC            |
| <b>Withstand Voltage:</b>     | 150VAC for 1 minute   |
| <b>Contact Resistance:</b>    | 20m Ω Max.            |
| <b>Insulation Resistance:</b> | 100 VDC, 100M Ω above |
| <b>Operation Temperature:</b> | -10°C ~ +70°C         |

Date Last Revised: 3/22/05

Available from Mouser Electronics  
1-800-346-6873  
www.mouser.com

KC- 300263

163-156N-2