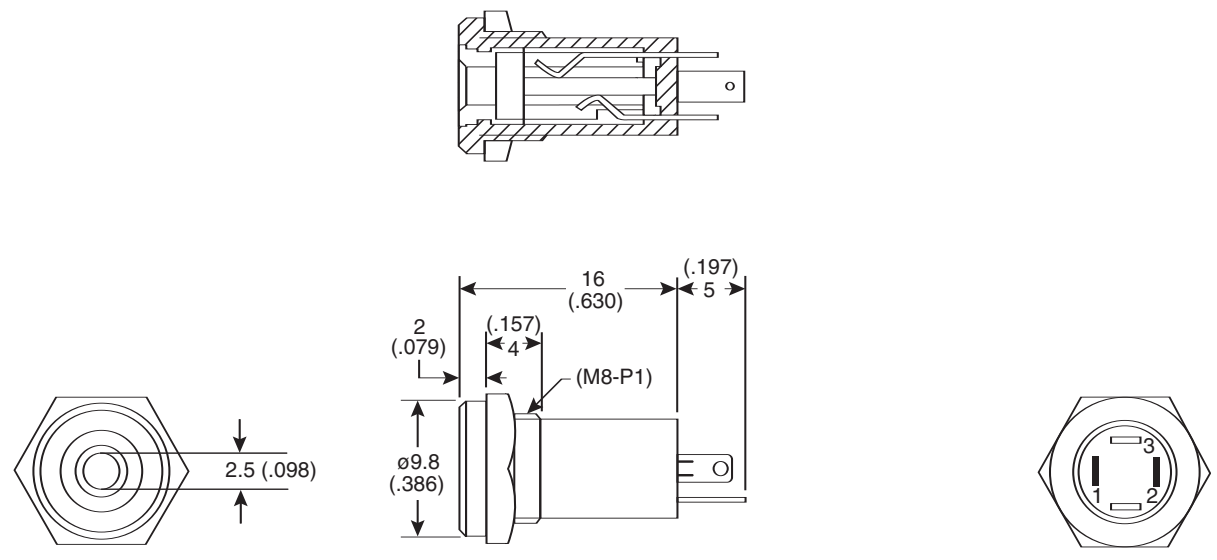


# 2.5mm Stereo Jack

161-7100



2.5mm Stereo Jack



**DIMENSIONS: mm (In.)**

<b>SPECIFICATIONS</b>	
<b>Dielectric strength:</b>	500V AC for one minute
<b>Contact resistance:</b>	50mΩ max.
<b>Insulation resistance:</b>	100MΩ min. at 500V DC
<b>Contacts:</b>	Sleeve - gold plated brass
	Ring - gold plated brass
	Tip - Ni plated brass
<b>Mating plugs:</b>	171-3305, 171-3306, 171-3405, 171-3406
Housing Pa	
Hexnut Ni plated brass	

Date Last Revised: 4-5-05

**Available from Mouser Electronics**  
**1-800-346-6873**  
**www.mouser.com**

KC-300417

161-7100

Specifications are subject to change without notice. No liability or warranty implied by this information. Environmental compliance based on producer documentation.