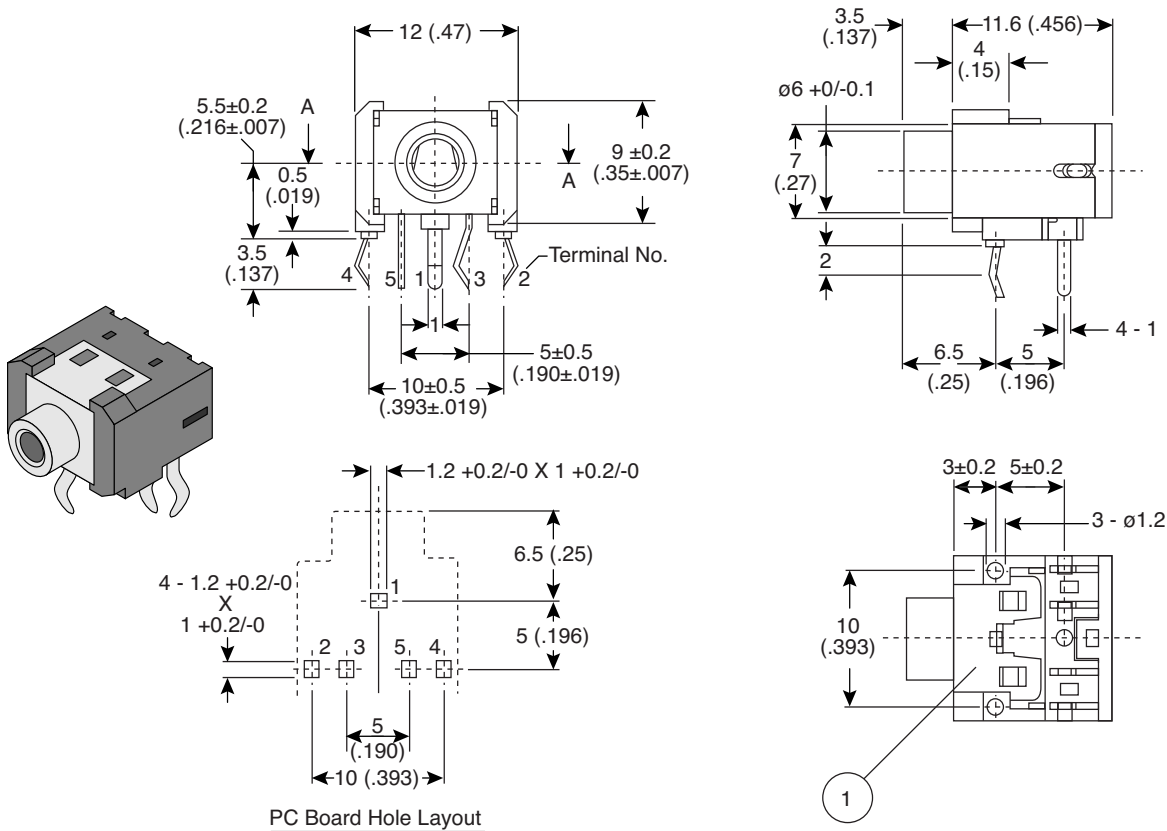


Stereo Earphone Jack (3.5 ϕ - 3)

161-MJ2735-3, 161-MJ2735-5

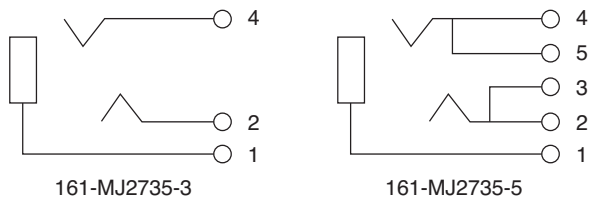
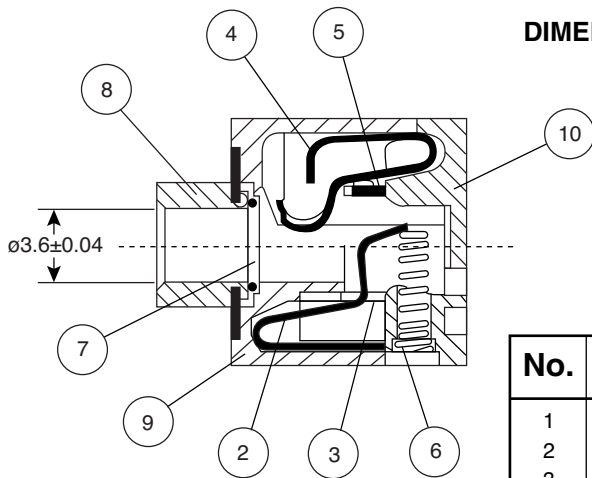


Stereo Earphone Jack (3.5 ϕ - 3)



DIMENSIONS: mm (In.)

Circuit Diagram



SPECIFICATIONS	
Tolerances:	X <= 5 = ±0.10
	X > 5 = ±0.30
	Angular = ±0.00

No.	Part Name	Material	RMK
1	Earth Terminal	Steel	Ni-Plated
2	Tip Spring B	PBs	Ag-Plated
3	Fixed Terminal B	Brass	Ag-Plated
4	Tip Spring A	Copper Alloy	Ag-Plated
5	Fixed	Brass	Ag-Plated
6	Spring	Music Wire	Ni-Plated
7	Contact Ring	Music Wire	Ag-Plated
8	Metal Bush	Brass	Ni-Plated
9	Body	PBT/GT Resin	Black
10	Cover	Polycarbonate	Black

Date Last Revised: 3-22-05

Available from Mouser Electronics
1-800-346-6873
www.mouser.com

KC-300244

161-MJ2735-3, 161-MJ2735-5