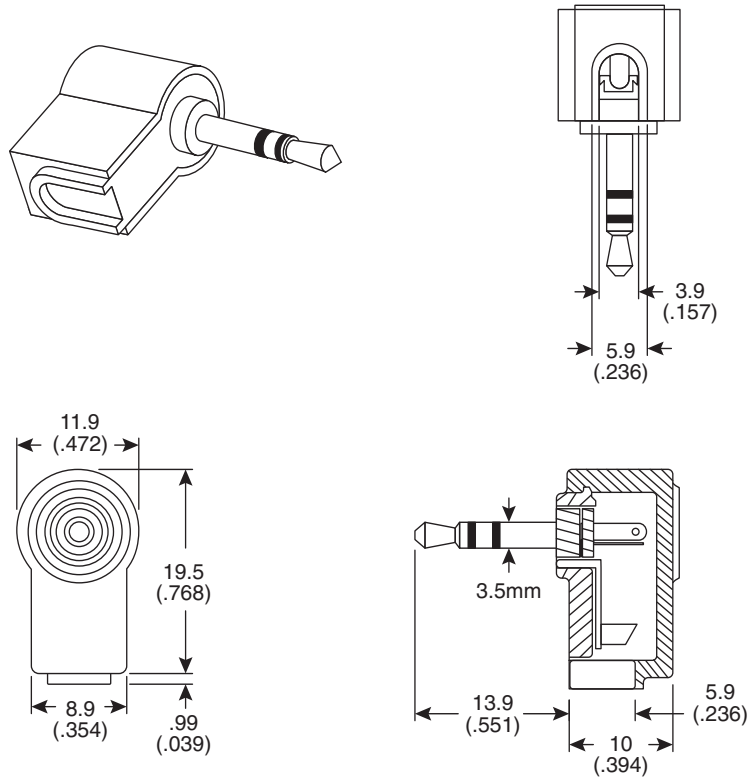


3.5mm Right Angle Phone Plug

171-3308



3.5mm Right Angle Phone Plug



Dimensions: mm (In.)

SPECIFICATIONS	
Type:	3.5mm phone, right angle, unshielded
Breakdown voltage:	500VAC for 1 minute
Insulation resistance:	100MΩ @ 500VDC
Contact resistance:	50mΩ max.
Life:	10000 cycles min.
Tip, sleeve, ground insulators:	ebonite
Terminal insulator:	polycarbonate
Cap:	polyethylene
Ground:	nickel plated steel
Contacts, terminals:	nickel plated brass
Color:	black

Date Last Revised: 4-18-05

Available from Mouser Electronics
1-800-346-6873
www.mouser.com

KC-300536

171-3308