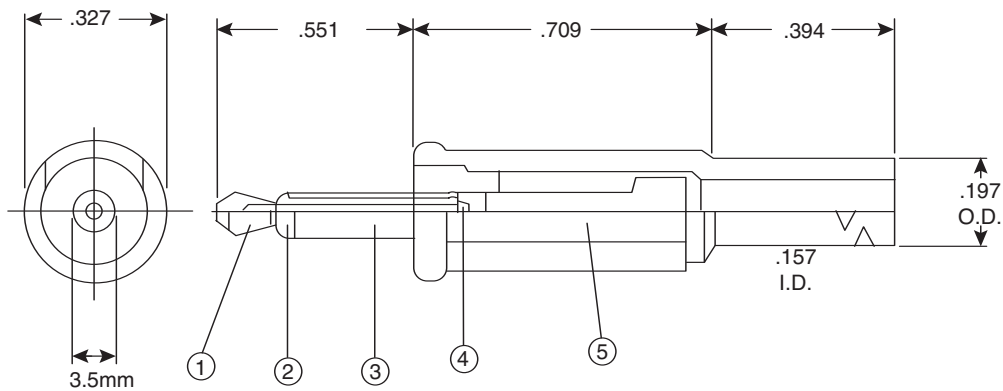
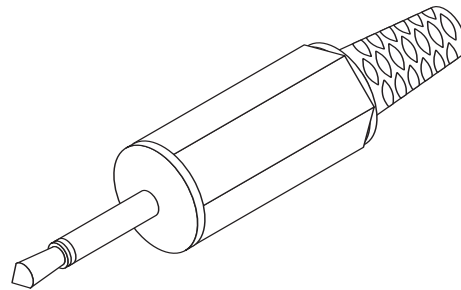


3.5mm Mono Phone Plug

171-3302



3.5mm Mono Phone Plug



Dimensions: In.

SPECIFICATIONS	
Temperature Rating:	80°C
Breakdown Voltage:	500VAC for 1 Minute
Insulation Resistance:	100MΩ @ 500VDC
Contact Resistance:	50mΩ max.
Life Time:	10,000 Cycles min.

MATERIALS		
Part No.	Part	Plating
1	Tip	Nickel Plated Brass
2	Insulator	ABS
3	Sleeve	Nickel Plated Brass
4	Tip Terminal	Nickel Plated Copper
5	Cap	PP
6	Sleeve Terminal	Nickel Plated Brass

Date Last Revised: 4-18-05

Available from Mouser Electronics
1-800-346-6873
www.mouser.com

KC-300525

171-3302

Specifications are subject to change without notice. No liability or warranty implied by this information. Environmental compliance based on producer documentation.