

ST-2000/ST-2500 Series 2.5mm Audio Jack

Features



- Audio Applications for Computers and Multimedia
- Through Hole and Surface Mount Designs
- CSA/NRTL Certified File No. LR78160

Performance Specifications

Materials and Finish

Housing
ST-2000: PBT Thermoplastic, Black Color UL94V-0 Rated
ST-2500: High Temperature Thermoplastic, Black Color
UL94V-0 Rated

Terminals

Copper Alloy, Silver over Nickel Plating

Mechanical Characteristics

Insertion Force: 0.4kg - 3.0kg

Extraction Force: 0.3kg - 3.0kg

Durability: 5000 Mating Cycles

Electrical Characteristics

Contact Resistance

Before Durability Test
50 Milliohms Max.

After Durability Test
100 Milliohms Max.

Insulation Resistance: 100 Megohms Min. at 250V DC

Dielectric Strength: 250V AC for 1 Minute

Operating Temperature: -25°C to +80°C

AUDIO JACKS

ST-2000 / ST-2500 Series

Ordering Information

ST-2500	-	3		N	-	
Series		Number of Pins		Packaging		

Series

ST-2000 - 2.5mm Through Hole Audio Jack

ST-2500 - 2.5mm Surface Mount Audio Jack

Number of Pins

3 - 3 Pins

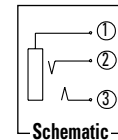
Packaging

Blank - Bulk

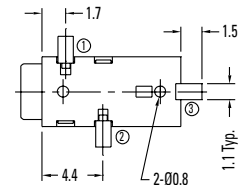
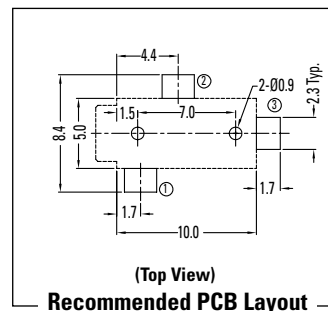
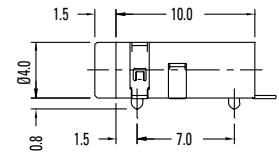
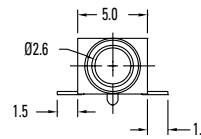
TR - Tape and Reel (ST-2500 only)

Dimensions

Dimensions in mm



ST-2500-3N



ST-2000-3N

