

ST-4235 Series Stacked 3.5mm Audio Jack

Features



- Audio Applications for Computers and Multimedia
- Can Be Used To Activate Speakers, an Equalizer or to Configure the Audio Signal
- Stacked Design Saves on Horizontal Board Space
- Multiple Switching Options Available
- CSA/NRTL Certified File No. LR78160

Performance Specifications

Materials and Finish

Housing

Nylon 66 Thermoplastic, 15% Glass Filled, Black Color, UL94V-0 Rated



Terminals

Copper Alloy, Tin over Nickel Plating

Switch Housing

PBT Thermoplastic

Switch Slide Knob

POM

Switch Terminals

Copper Alloy, Silver Plated

Mechanical Characteristics

Insertion Force

0.4kg - 3.0kg

Extraction Force

0.3kg - 3.0kg

Durability

5000 Mating Cycles

Electrical Characteristics

Insulation Resistance

100 Megohm Min. at 500V DC

Dielectric Strength

500V AC for 1 Minute

Contract Resistance

Before Durability Test

50 Milliohms Max.

After Durability Test

100 Milliohms Max.

Voltage Rating

16 Volts DC

Current Rating

0.3A

Operating Temperature

-25°C to +80°C

Ordering Information

ST-4235	-	3/5	-	N
Series		Configuration		Options

Series

ST-4235 - Stacked 3.5mm Audio Jack over 3.5mm Audio Jack

Configuration

3/3 - 3 Pins over 3 Pins

3/5 - 3 Pins over 5 Pins

3/9 - 3 Pins over 9 Pins

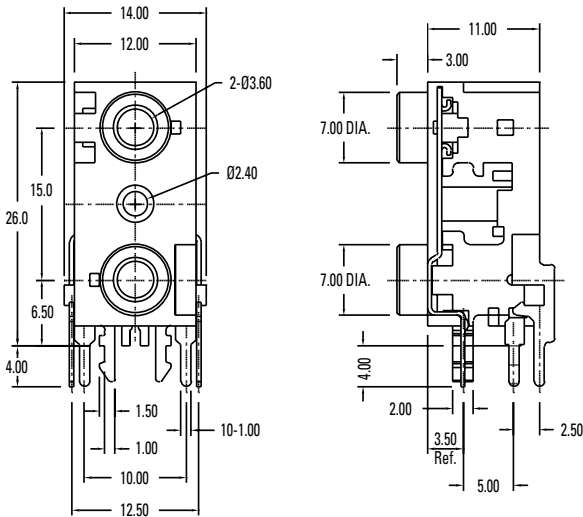
3/11 - 3 Pins over 11 Pins

Threading Options

N - Non-Threaded

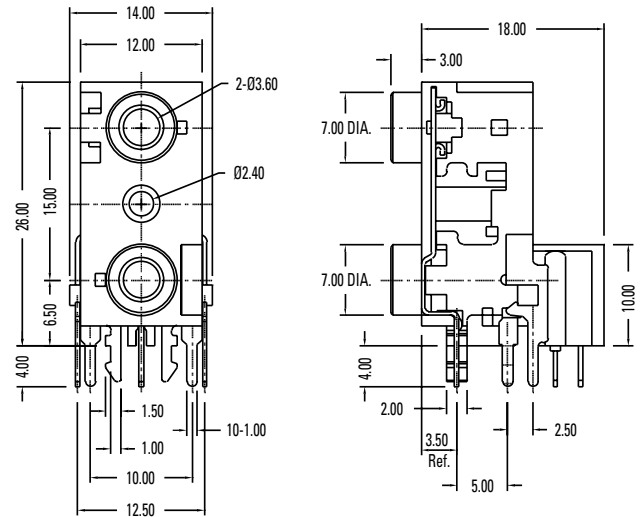
ST-4235 Dimensions

Dimensions in mm

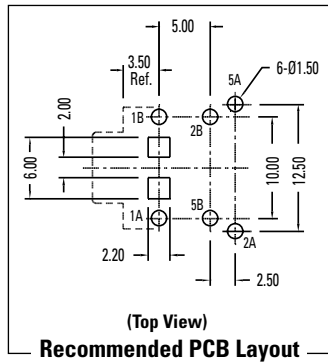
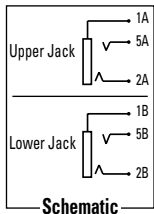


ST-4235 Dimensions

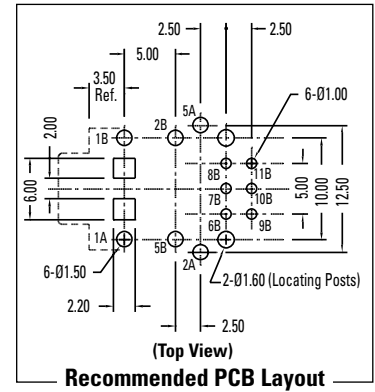
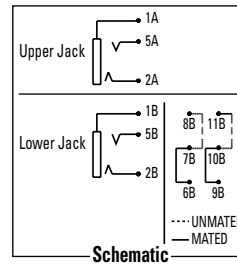
Dimensions in mm



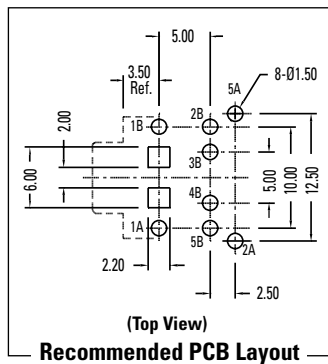
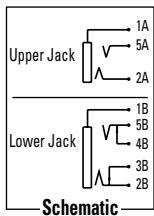
ST-4235-3/3-N



ST-4235-3/9-N



ST-4235-3/5-N



ST-4235-3/11-N

