

ST-314/ST-315 Series PCB Mount 3.5mm Jack Slim Design with Switch

Features



- Audio Applications for Computers and Multimedia
- Can be Used to Activate Speakers, an Equalizer or to Configure the Audio Signal
- Up to One Double-Pole Single-Throw Switch
- Spring Loaded Contacts for High Contact Reliability
- Narrow Body Uses Minimal Board Space
- CSA/NRTL Certified File No. LR78160

Performance Specifications

Materials and Finish

Audio Jack



Housing: PBT Thermoplastic, Black Color, UL94V-0 Rated
Cover: PBT Thermoplastic, UL94V-0 Rated
Bushing: Brass, Nickel Plated
Terminals and Contacts: Phosphor Bronze, Tin Plated
Coil Springs: Spring Steel

Mechanical Characteristics

Insertion Force

0.4kg - 3.0kg

Extraction Force

0.3kg - 3.0kg

Durability

5000 Mating Cycles

AUDIO JACKS

ST-314 / ST-315 Series

Electrical Characteristics

Contact Rating

DC 16V at 0.3 Amps

Contact Resistance

Before Durability Test

To Terminals: 30 Milliohms Max.

To Sleeve: 50 Milliohms Max.

After Durability Test with Mating Plug

To Terminals: 60 Milliohms Max.

To Sleeve: 100 Milliohms Max.

Insulation Resistance

100 Megohms Min. at 500V DC

Dielectric Strength

500V AC for 1 Minute

Temperature Rating

Operating Temperature: -25°C to +80°C

Ordering Information

ST-3140	-	3	N
Series		Number of Pins	Options

Series

ST-3140 - Crimped Leads, Black Cover

ST-3141 - Crimped Leads, Clear Cover

ST-3150 - Straight Leads, Black Cover

ST-3151 - Straight Leads, Clear Cover

Number of Pins

3 - 3 Pins

5 - 5 Pins

Options

C - Threaded Barrel

N - Non-Threaded Barrel

CM - Threaded Barrel, Mono

NM - Non-Threaded Barrel, Mono

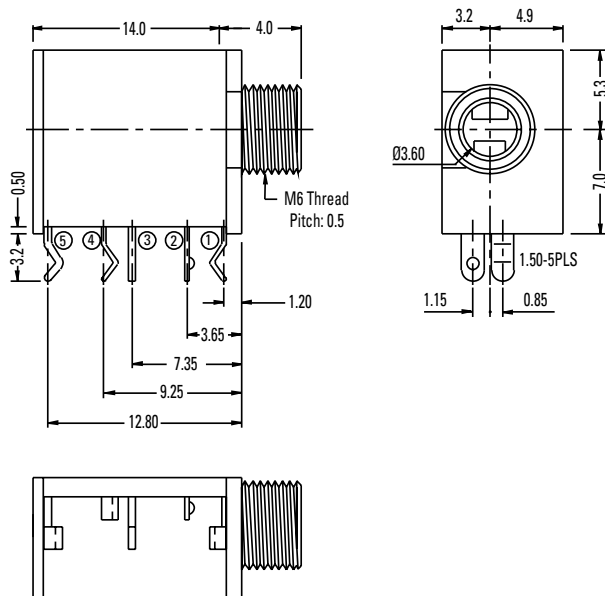
ST-314 and ST-315 Series Dimensions

Dimensions in mm

ST-3140 (Black Side Cover)

ST-3141 (Clear Side Cover)

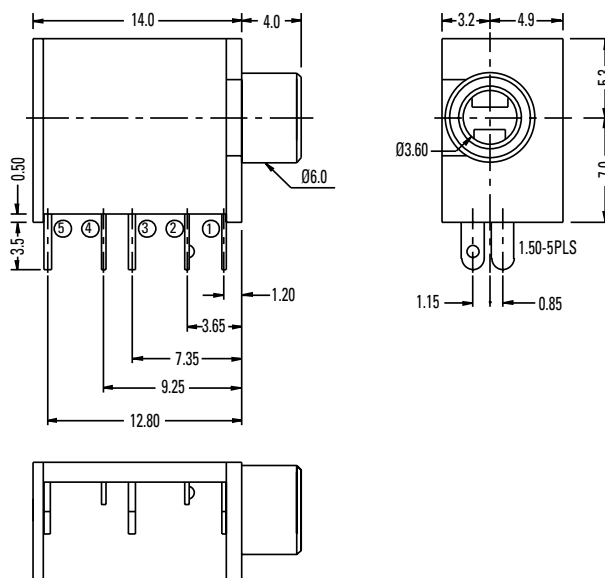
Crimped Leads (shown with Threaded Bushing)



ST-3150 (Black Side Cover)

ST-3151 (Clear Side Cover)

Straight Leads (shown with Non-Threaded Bushing)



AUDIO JACKS

ST-314 / ST-315 Series

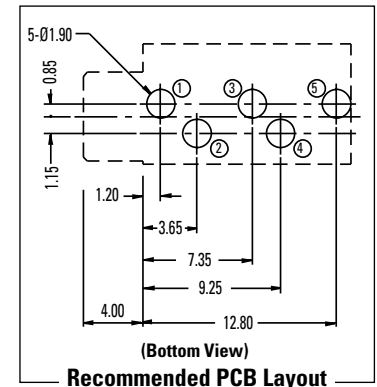
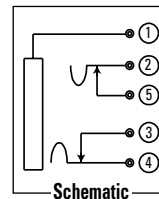
ST-314 and ST-315 Series Dimensions

Dimensions in mm

-5C and -5N Options

5 Pins

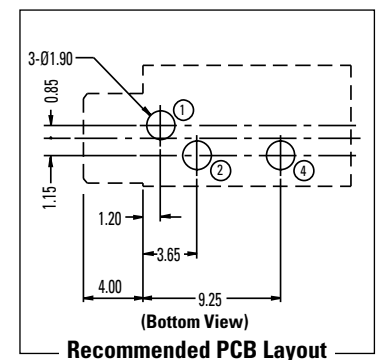
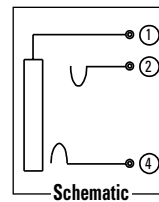
One Double-Pole, Single-Throw Switch



-3C and -3N Options

3 Pins

Audio Jack



-3CM and -3NM Options

3 Pins, Mono

One Single-Pole, Single-Throw Switch

