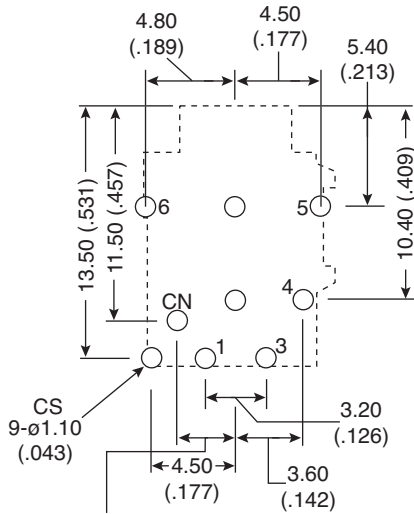
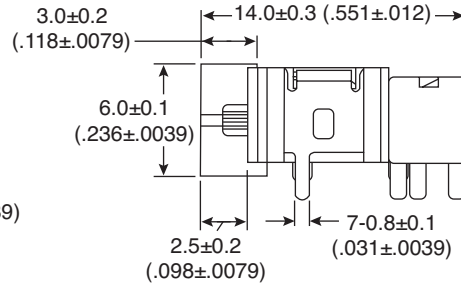
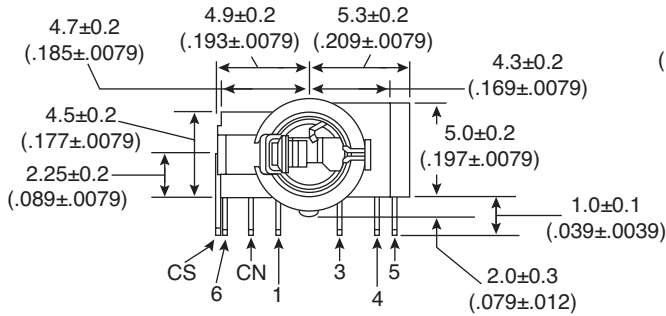


# 3.5mm 4 Pole Stereo Jack

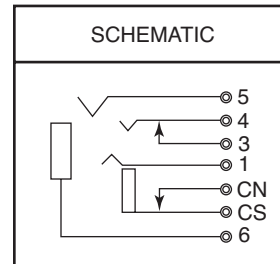
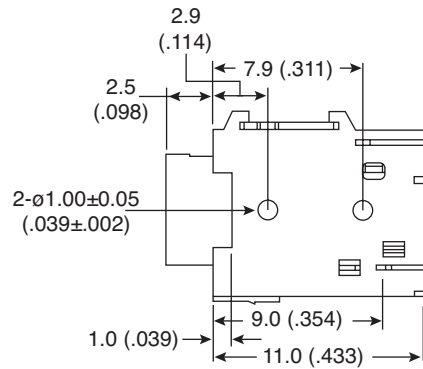
161-5350-E



3.5mm 4 Pole Stereo Jack



PCB LAYOUT  
 BOTTOM VIEW  
 NOTE: ±0.2 FOR PCB LAYOUT



Dimensions: mm (in.)

| SPECIFICATIONS                |                                  |
|-------------------------------|----------------------------------|
| <b>Housing:</b>               | PA66 Black                       |
| <b>Terminals:</b>             | Phosphor bronze tin plated       |
| <b>Ground Terminal:</b>       | Phosphor bronze gold plated      |
| <b>Insertion/ Ext Force:</b>  | .3-3 Kgs                         |
| <b>Dielectric Strength:</b>   | 500 VAC for 1 min.               |
| <b>Insulation Resistance:</b> | 100 M ohm minimum                |
| <b>Contact Resistance:</b>    | 50 m ohm maximum                 |
| <b>Life Cycle:</b>            | 5000 matings minimum             |
| <b>Operating Temperature:</b> | -25°C to +85°C                   |
| <b>Wave Soldering Temp:</b>   | 265°C to ±5°C at 3 sec.±0.5 sec. |
| <b>Voltage Rating:</b>        | 16.0 VDC                         |
| <b>Current Rating:</b>        | 0.3 A                            |
| RoHS Compliant                |                                  |

Date Last Revised: 03/08/07

Available from Mouser Electronics  
 1-800-346-6873 / www.mouser.com

KC-300985

161-5350-E

Specifications are subject to change without notice. No liability or warranty implied by this information. Environmental compliance based on producer documentation.