

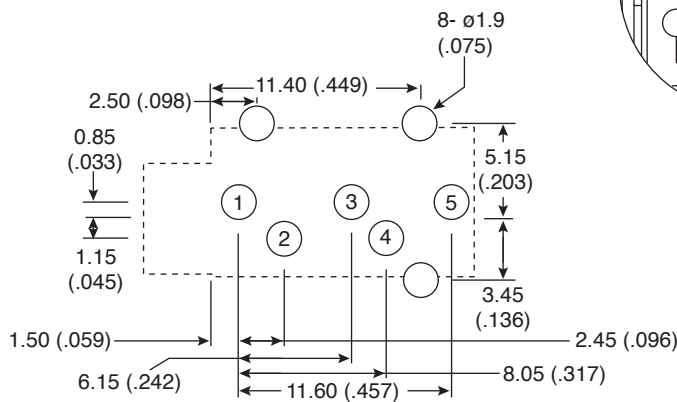
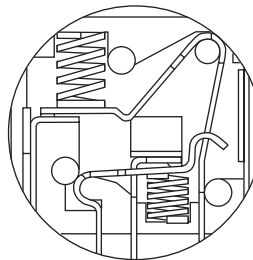
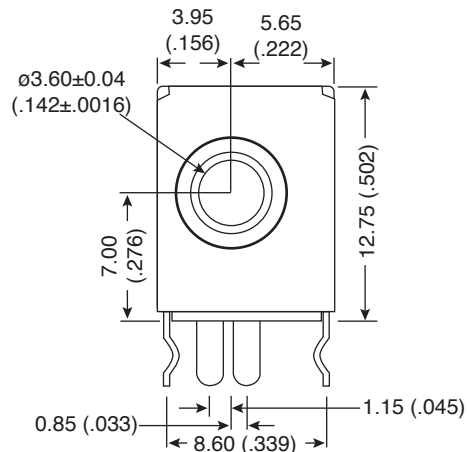
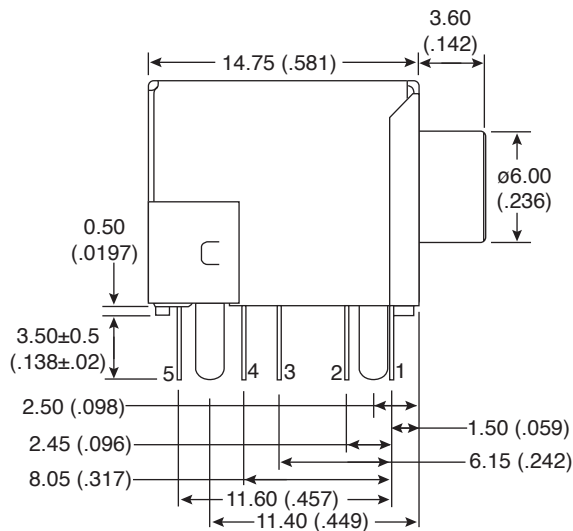
# 3.5mm Stereo Jacks, Shielded

161-3153-E, 161-3155-E

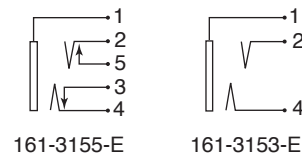


3.5mm Stereo Jacks, Shielded

161-3153-E, 161-3155-E



### SCHEMATIC



**PCB LAYOUT  
BOTTOM VIEW**

**Dimensions: mm (In)**

### SPECIFICATIONS

<b>Housing:</b>	PBT with 15% glass
<b>Shield:</b>	Tin Plated Steel
<b>Terminals:</b>	Tin Plated Brass
<b>Insertion/Extraction Force:</b>	.3-3.0 Kgs
<b>Dielectric Strength:</b>	500VAC for 1 Minute
<b>Insulation Resistance:</b>	100MΩ min.
<b>Contact Resistance:</b>	50mΩ max.
<b>Life Cycle:</b>	5,000 Matings min.
<b>Operating Temperature:</b>	-25°C to +85°C
<b>RoHS Compliant</b>	

Date Last Revised: 2-15-06

Available from Mouser Electronics  
1-800-346-6873  
www.mouser.com

KC-300964