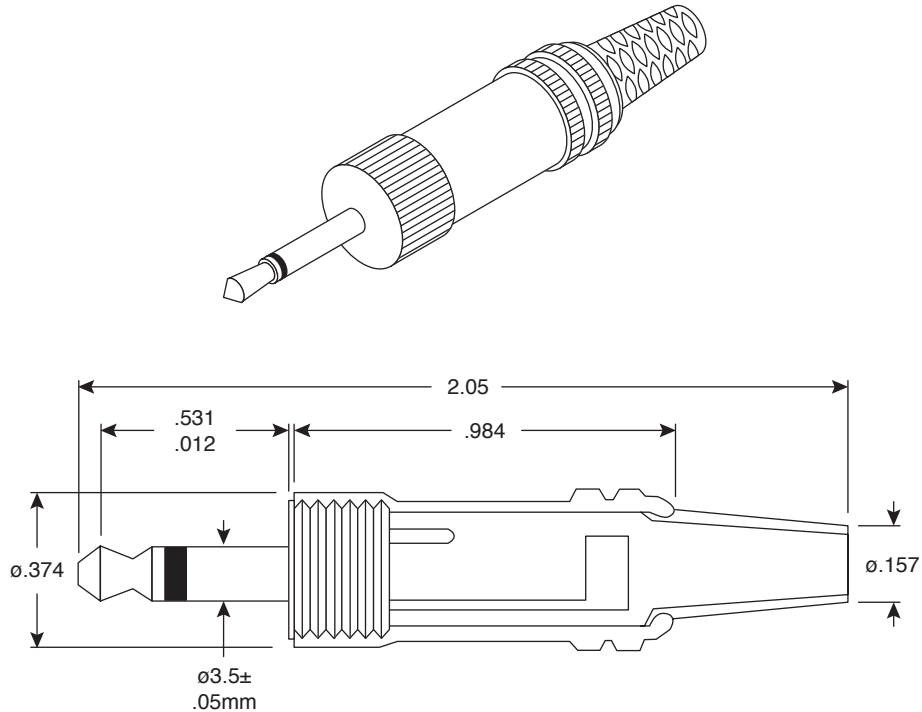


# 3.5mm Shielded Mono Plug

171-3201-EX



3.5mm Shielded Mono Plug



**Dimensions: In.**  
(except where noted)

SPECIFICATIONS	
<b>Type:</b>	3.5mm High Reliability Shielded Mono Plug with Strain Relief, Insulated Sleeve and Japanese Tip
<b>Contact Resistance:</b>	50mΩ max.
<b>Insulation Resistance:</b>	100MΩ min. @ 500VDC
<b>Withstand Voltage:</b>	500VAC for 1 Minute
<b>Terminal, Plug, Cap:</b>	Nickel Plated Brass
<b>Body:</b>	ABS
<b>Plug Insulator:</b>	PVC
<b>Strain Relief:</b>	PVC
RoHS Compliant by Exemption	

Date Last Revised: 12-22-05

Available from Mouser Electronics  
1-800-346-6873  
www.mouser.com

KC-300890

171-3201-EX