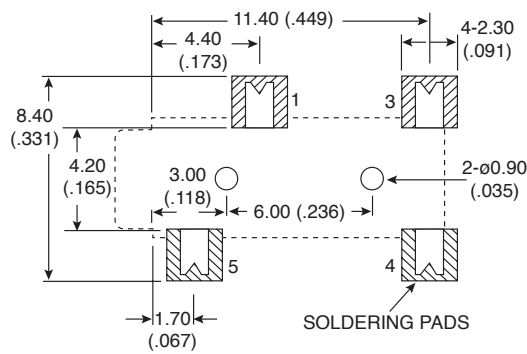
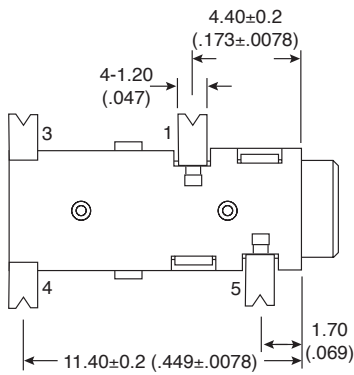
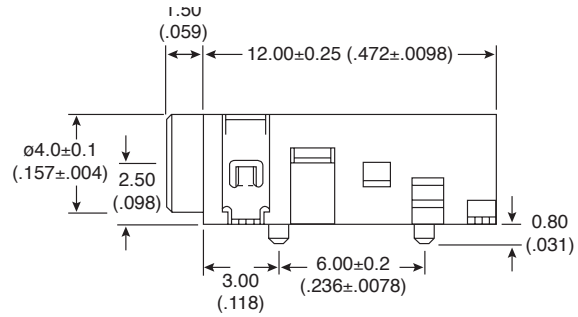
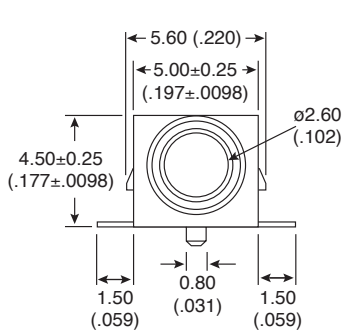
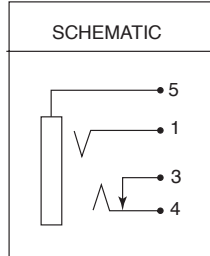


2.5mm Stereo Jack w/ Switch

161-4304-E



2.5mm Stereo Jack w/ Switch



RECOMMENDED PAD LAYOUT
MOUNTING SIDE

Dimensions: mm

SPECIFICATIONS	
Housing:	LCP Black UL94V-0
Terminals:	Phosphor bronze silver plated
Tip Terminal:	Cu alloy silver plated
Insertion/ Ext Force:	.3-3 Kgs
Dielectric Strength:	250 VAC for 1 min.
Insulation Resistance:	100 M ohm minimum
Contact Resistance:	50 m ohm maximum
Life Cycle:	5000 matings minimum
Operating Temperature:	-25°C to +85°C
Voltage Rating:	16.0 VDC
Current Rating:	0.3 A
RoHS Compliant	

Date Last Revised: 6-23-06

Available from Mouser Electronics
1-800-346-6873
www.mouser.com

KC-300988

161-4304-E