

## Insulated Standard

### SPECIFICATIONS

**Stud:** Brass per QQ-B-626D

**Finish:** Silver

**Insulating Material:** Nylon 6/6 per ASTM D4066

**Hardware:** Nickel plated nut (unassembled)

**Body Thread Stripping Torque:**  
6.0 lb. in. (7.0 kg cm)

**Panel Thickness:** Up to .281 (7.15)

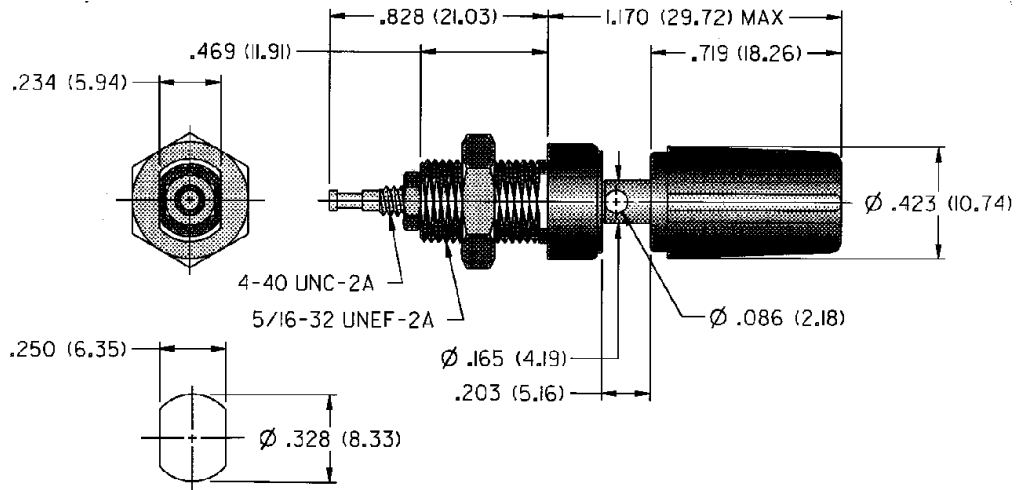
### RATINGS

**Current:** 15 amps

**Contact Resistance:** 0.010 ohms maximum

**Breakdown Voltage:** 5700 Vrms minimum †

**Stud-to-Panel:** 3.3 pF nominal



MOUNTING HOLE LAYOUT

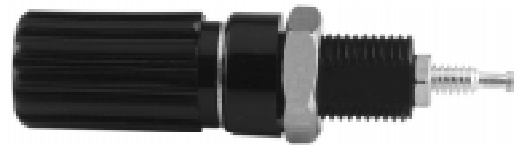
SILVER PLATING			
PART NO.	COLOR	PART NO.	COLOR
111-0101-001	White	111-0107-001	Yellow
111-0102-001	Red	111-0108-001	Brown
111-0103-001	Black	111-0110-001	Blue
111-0104-001	Green	111-0112-001	Violet
111-0106-001	Orange	111-0113-001	Gray

**For Standard Banana Plug: .175 (4.44)**

**Diameter**

**FEATURES:**

- Turret terminal
- Captive thumb nut
- Insulated body is flatted to prevent turning
- Nylon UL approved for self-extinguishing



## Insulated Standard With Thumb Nut-Grounded Type

### SPECIFICATIONS

**Stud:** Brass per QQ-B-626D

**Finish:** Nickel

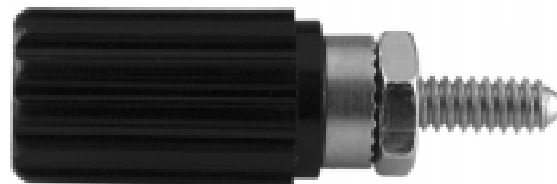
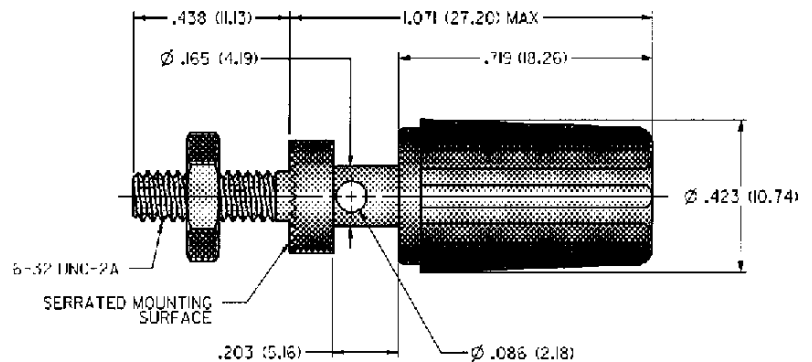
**Insulating Material:** Nylon 6/6 per ASTM D4066

**Hardware:** Nickel plated nut (unassembled)

**Panel Thickness:** Up to .313 (7.95)

### RATINGS

**Current:** 15 amps



NICKEL PLATING			
PART NO.	COLOR	PART NO.	COLOR
111-0701-001	White	111-0704-001	Green
111-0702-001	Red	111-0707-001	Yellow
111-0703-001	Black	111-0710-001	Blue

**For Standard Banana Plug: .175 (4.44) Across Flats**

**FEATURES:**

- Serrated mounting surface prevents turning
- Captivated thumb nut
- .094 (2.39) diameter cross-hole accommodates up to 12 gauge wire
- Nylon UL approved for self-extinguishing

† Avoid user injury due to misapplication. See safety advisory definitions on page 2.

# Binding Posts

APPLICATION • Audio circuitry • RF circuitry

## Insulated Standard UL Type, W/Keyed Insulator

### SPECIFICATIONS

**Stud:** Brass per QQ-B-626D

**Finish:** Gold or Bright tin

**Insulating Material:** Nylon 6/6 per ASTM D4066

**Hardware:** Gold plated nuts or bright tin plated nuts (unassembled)

**Panel Thickness:** Range from .062 (1.58) to .250 (6.35)

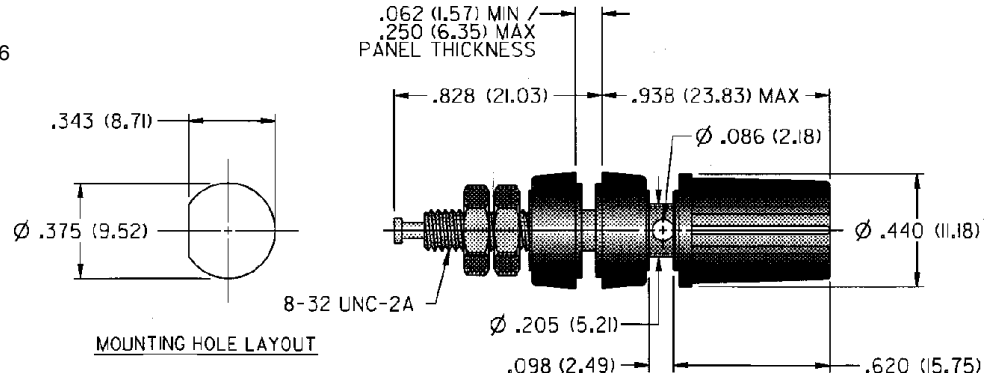
### RATINGS

**Current:** 15 amps

**Breakdown Voltage:** 1000 Vrms minimum†

**Stud-to-Panel:** 3.0 pF nominal

**Contact Resistance:** .010 ohms maximum

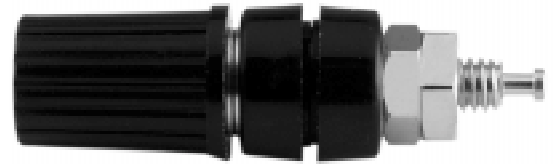


GOLD PLATING			
PART NO.	COLOR	PART NO.	COLOR
111-0742-002	Red	111-0743-002	Black

**For Standard Banana Plug:** .175 (4.44) Across Flats

### FEATURES:

- Keyed insulators prevent turning of installation
- Designed to meet UL-1244, IEC 348.P and 39.5-1974 specifications for distance of thumb to nut opening
- Nylon UL approved for self-extinguishing



† Avoid user injury due to misapplication. See safety advisory definitions on page 2.