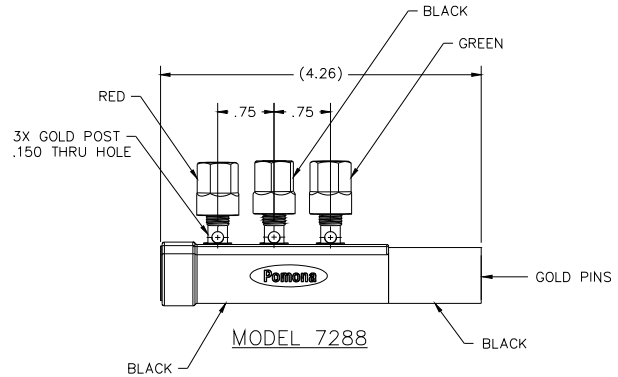


**Model 7288
XLR (M) / Triple Binding Post / RJ11**



Model 7288 XLR (M) / Triple Binding Post / RJ11



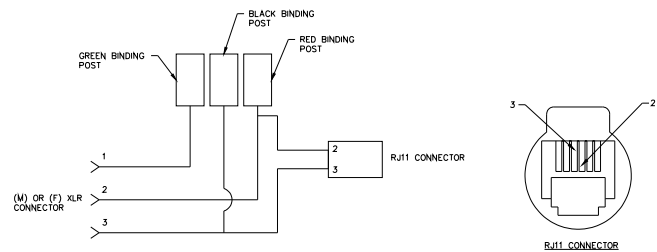
Features

- RJ11 jack allows easy connection to phone for communication or testing.
- 5-way binding posts accept banana plugs vertically or horizontally, dual or triple banana plugs vertically or horizontally, bare wire via through-holes, alligator clips or spade lugs.
- XLR plug enables connection to audio cable links or broadcast system panels.
- Gold plated pins and binding posts for excellent conductivity.
- 3/4" Spacing between banana jacks allows dual or triple banana plug connections.
- Cross holes have large (0.150") diameter for easy wire access.
- Rugged body exterior.

Materials

- Adapter body is made of rugged ABS.
- Binding posts: gold plated brass. Nylon 6 hex nuts.
- XLR Body: Die cast zinc.
- XLR male center pin contacts: gold plated brass.

Connection Schematic



Specifications

- Voltage: 33 Vrms / 70Vdc

Ordering Information

Model: 7288, XLR (M) / Triple Binding Post / RJ11

USA: Sales: 800-490-2361 Technical Support: 800-241-2060 Fax: 888-403-3360

Europe: 31-(0) 40 2675 150 International: 425-446-5500
e-mail: technicalsupport@pomonatest.com

Where to Buy: www.pomonaelectronics.com

All dimensions are in inches. Tolerances (except noted): .xx = ±.02" (.51 mm), .xxx = ±.005" (.127 mm). All specifications are to the latest revisions. Specifications are subject to change without notice. Registered trademarks are the property of their respective companies.