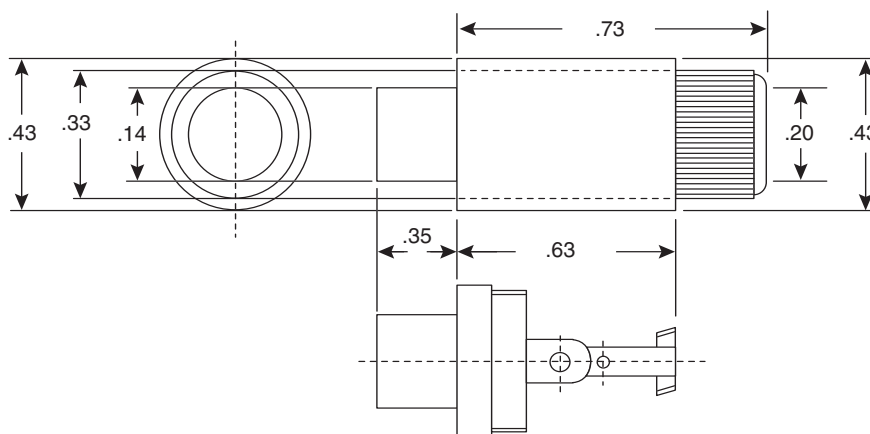
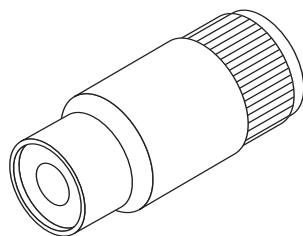


In-Line Phono Jacks

161-0103, 161-0110



In-Line Phono Jacks



Dimensions: In.

MOUSER STOCK NO.	Color
161-0103	Black
161-0110	Red

SPECIFICATIONS	
Type:	In-Line Phono
Contact Resistance:	10mΩ max.
Insulation Resistance:	100MΩ min. @ 500VDC
Withstand Voltage:	500VAC for 1 Minute
Body, Cap:	ABS Resin
Sleeve:	Nickel Plated Steel
Terminal:	Nickel Plated Brass
Insulator:	Bakelite

Date Last Revised: 4-19-05

Available from Mouser Electronics
1-800-346-6873
www.mouser.com

KC-300568

161-0103, 161-0110