

## STX-3900 Series PCB Mount 3.5mm Audio Jack

**Features**  

- Audio Applications for Computers and Multimedia
- Available with Threaded or Non-Threaded Metal Bushing
- CSA/NRTL Certified File No. LR78160

## Performance Specifications

### Materials and Finish

#### Housing

PBT Thermoplastic, Black Color UL94V-0 Rated

#### Terminals

Tin Plated



## Mechanical Characteristics

Insertion Force : 0.4kg - 3.0kg

Extraction Force : 0.3kg - 3.0kg

Durability : 5000 Mating Cycles

## Electrical Characteristics

### Contact Resistance

#### Before Durability Test

50 Milliohms Max.

#### After Durability Test

100 Milliohms Max.

**Insulation Resistance** : 100 Megohms Min. at 500V DC

**Dielectric Strength** : 500V AC RMS for 1 Minute

**Operating Temperature** : -25°C to +85°C

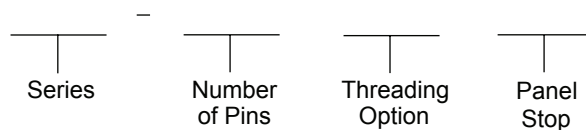
# AUDIO JACKS

## STX-3900 Series

### Documentation & Ordering Information


### Kycon Part #

### Part Number Builder



#### Series

STX-3900 - 3.5mm Audio Jack

#### Number of Pins

3 Pins

#### Threading Option

C - Threaded

N - Non Threaded

#### Panel Stop Option

Blank - No Panel Stop

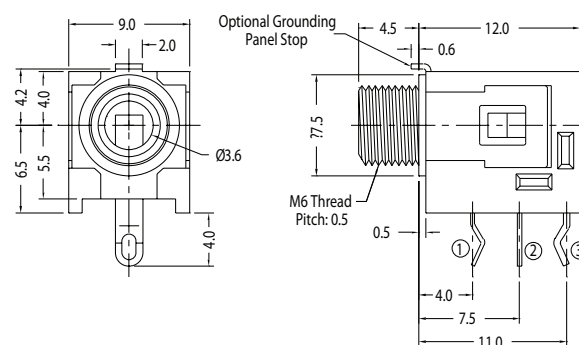
P - With Panel Stop

\* Contact Kycon for other options

## STX-3900 Series Dimensions

Dimensions in mm

### STX-3900 -3CP



### STX-3900-3NP

