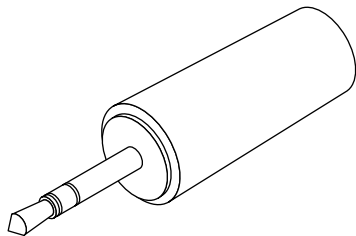


# Stereo Phone Plug

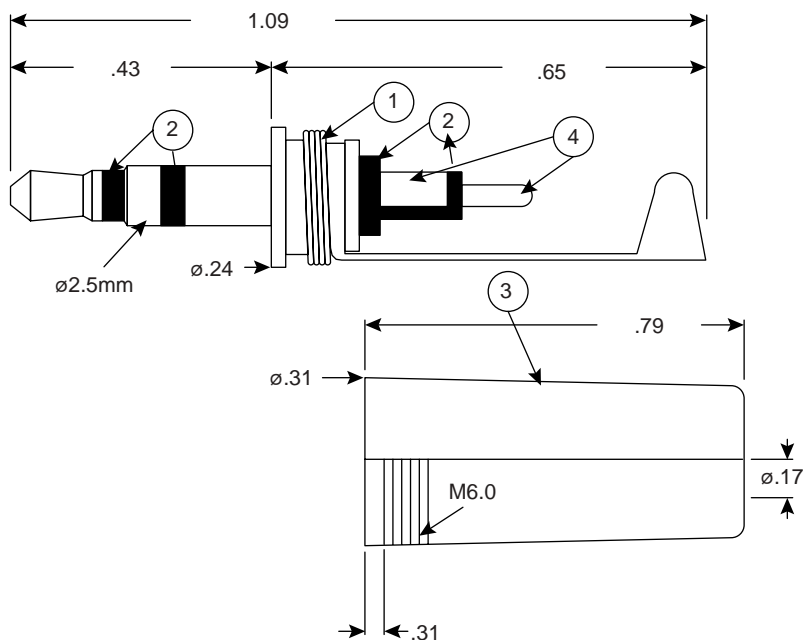
171-3305



Stereo Phone Plug



Dimensions (In.)



SPECIFICATIONS	
Contact resistance:	50mΩ max.
Insulation resistance:	100MΩ min. @ 500VDC
Withstand voltage:	500VAC for 1 minute
Temperature rating:	70°C

MATERIAL SPECIFICATIONS	
1. Body:	Nickel plated brass
2. Insulator:	ABS plastic
3. Handle:	ABS (black) plastic
4. Terminal:	Silver plated brass

Date Last Revised: 4-6-04

Available from Mouser Electronics  
 1-800-346-6873  
 www.mouser.com

KC-300018

171-3305