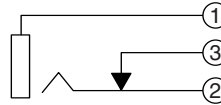
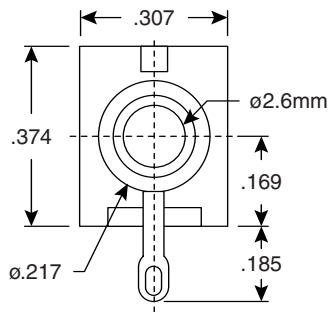
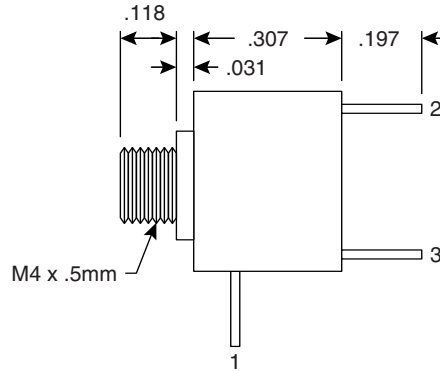
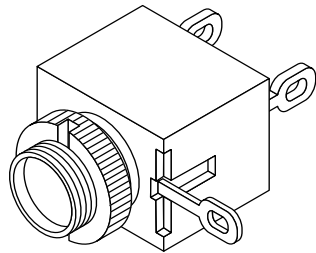


Jack
161-0125



Jack



DIMENSIONS: (IN.)
(except where noted)

SPECIFICATIONS	
Type:	2.5mm mono phone
Insulation resistance:	>50M Ω @ 100V
Withstand voltage:	250V for 1 minute
Contact resistance:	\leq 30m Ω
Life:	5000 insertions
Wave solder temp.:	230°C max. for 3 seconds

Date Last Revised: 4-6-05

Available from Mouser Electronics
1-800-346-6873
www.mouser.com

KC-300401

161-0125