

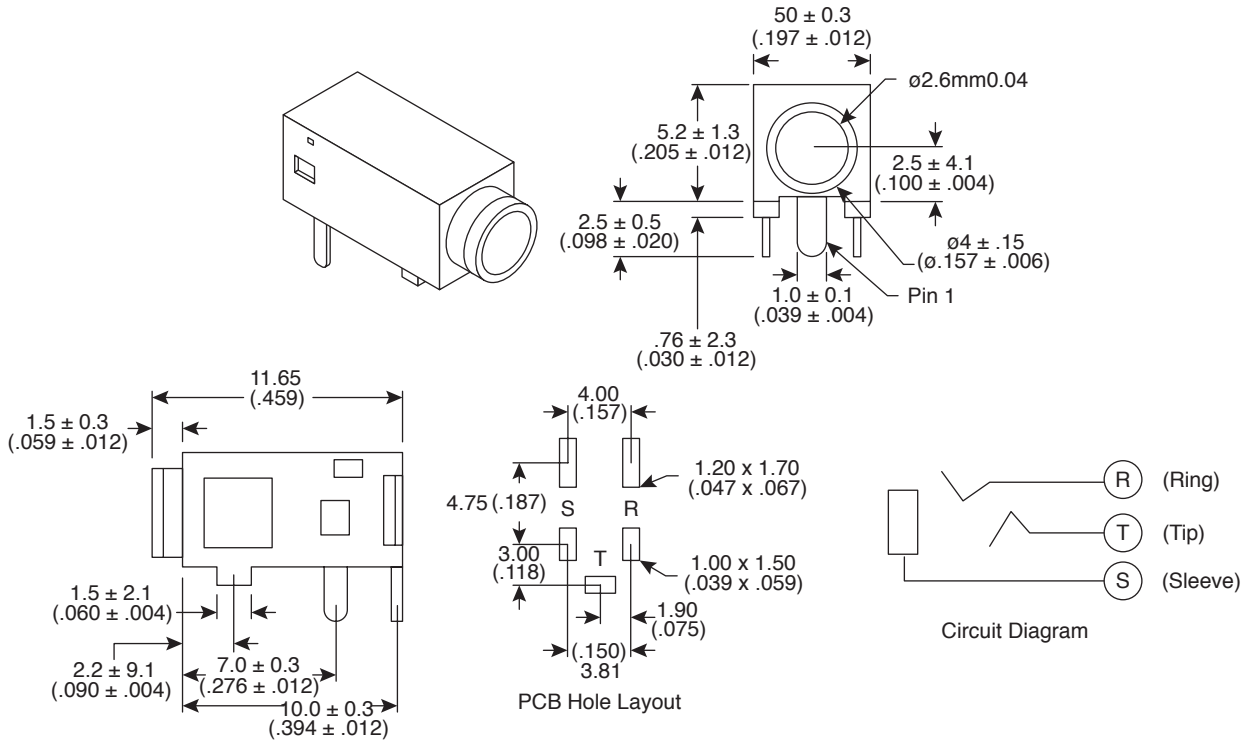
Jack

161-2502



Jack

161-2502



Dimensions: mm and (In.)

SPECIFICATIONS	
Type:	2.5mm stereo phone
Withstand voltage:	500VAC for 1 minute
Insulation resistance:	100MΩ
Contact resistance:	30mΩ
Life:	5,000 cycles
Max. wave solder Temp.:	213°C for 3 seconds
Body:	Duranex 3300
Contacts:	Tin plated brass
Outer ring:	Nickel plated brass

Date Last Revised: 10-14-05

Available from Mouser Electronics
1-800-346-6873
www.mouser.com

KC-300416