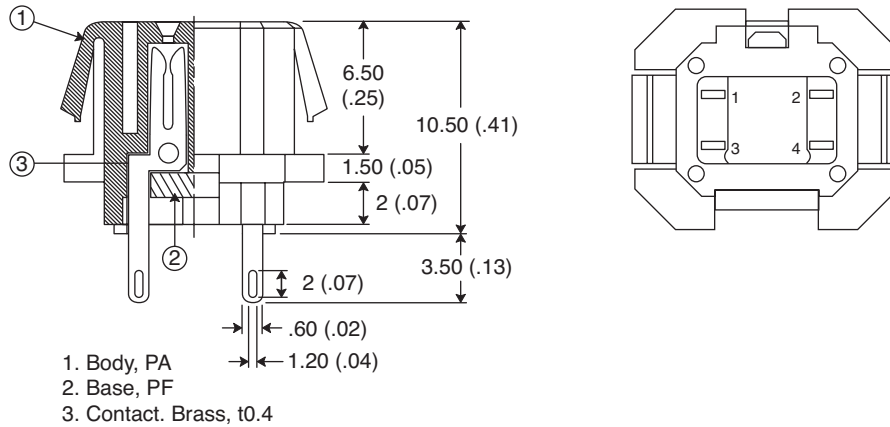
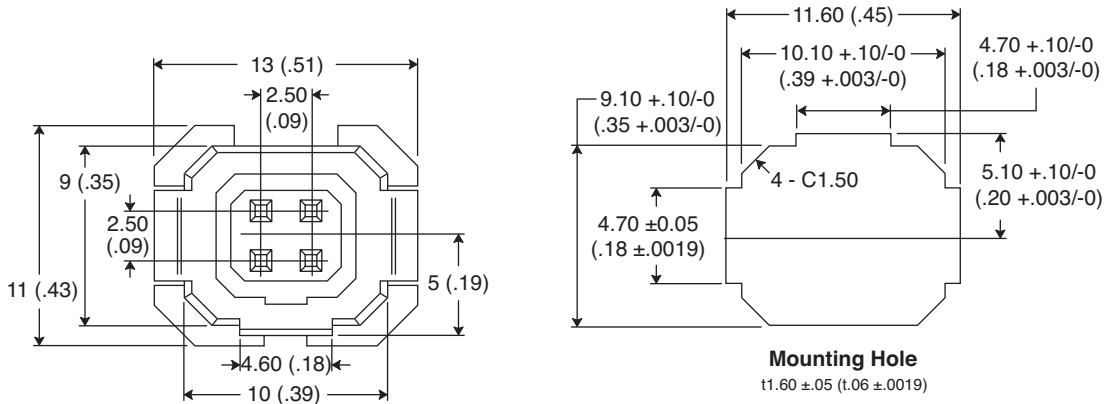


Panel Mount Iris Connector

163-158N-1-E



Panel Mount Iris Connector



Dimensions: mm (In.)

ELECTRICAL SPECIFICATIONS	
Rating:	0.5A 30VDC
Withstand Voltage:	150VAC for 1 minute
Contact Resistance:	20m Ω Max.
Insulation Resistance:	100 VDC, 100M Ω above
Operation Temperature:	-10°C ~ +70°C
RoHS Compliant	

Date Last Revised: 12-09-05

Available from Mouser Electronics
1-800-346-6873
www.mouser.com

KC- 300958

163-158N-1-E