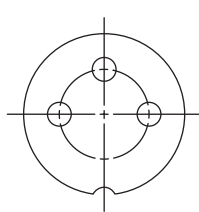
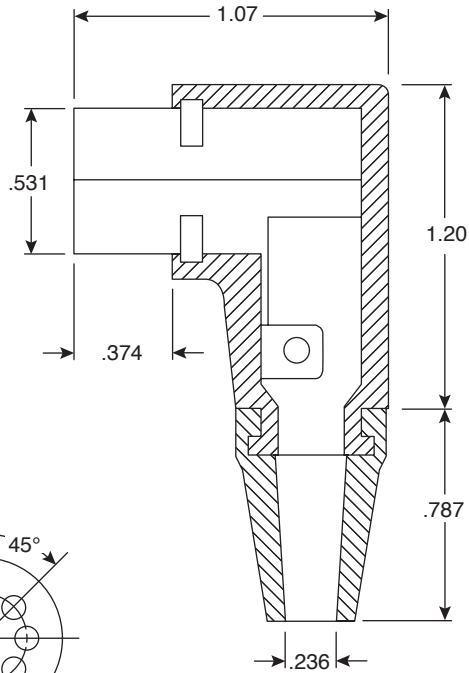
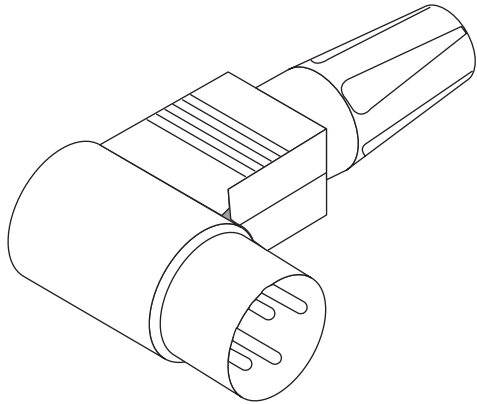


# Right Angle DIN Plugs

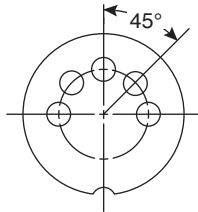
171-1031-E, 171-1051-E, 171-1080-E, 171-1081-E



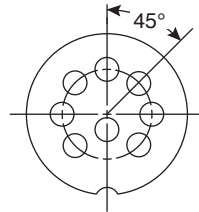
Right Angle DIN Plugs



3 Pin  
180 Arc  
171-1031-E



5 Pin  
180 Arc  
171-1051-E



8 Pin  
270 Arc  
171-1080-E  
171-1081-E

Dimensions: In.

SPECIFICATIONS	
Type:	Right Angle DIN
Insulation Resistance:	100MΩ min @ 500VDC
Contact Resistance:	30mΩ max
Dielectric Strength:	250VAC for 1 Minute
RoHS Compliant	

MATERIALS	
Color:	171-1031-E, 171-1051-E, 171-1081-E - Gray; 171-1080-E - Black
Sleeve:	Nickel Plated Steel
Body:	Polyethylene
Strain Relief:	PVC
Insulator:	ABS
Pins:	Nickel Plated Brass

Date Last Revised: 12-23-05

Available from Mouser Electronics  
1-800-346-6873  
www.mouser.com

KC-300938

171-1031-E, 171-1051-E, 171-1080-E, 171-1081-E