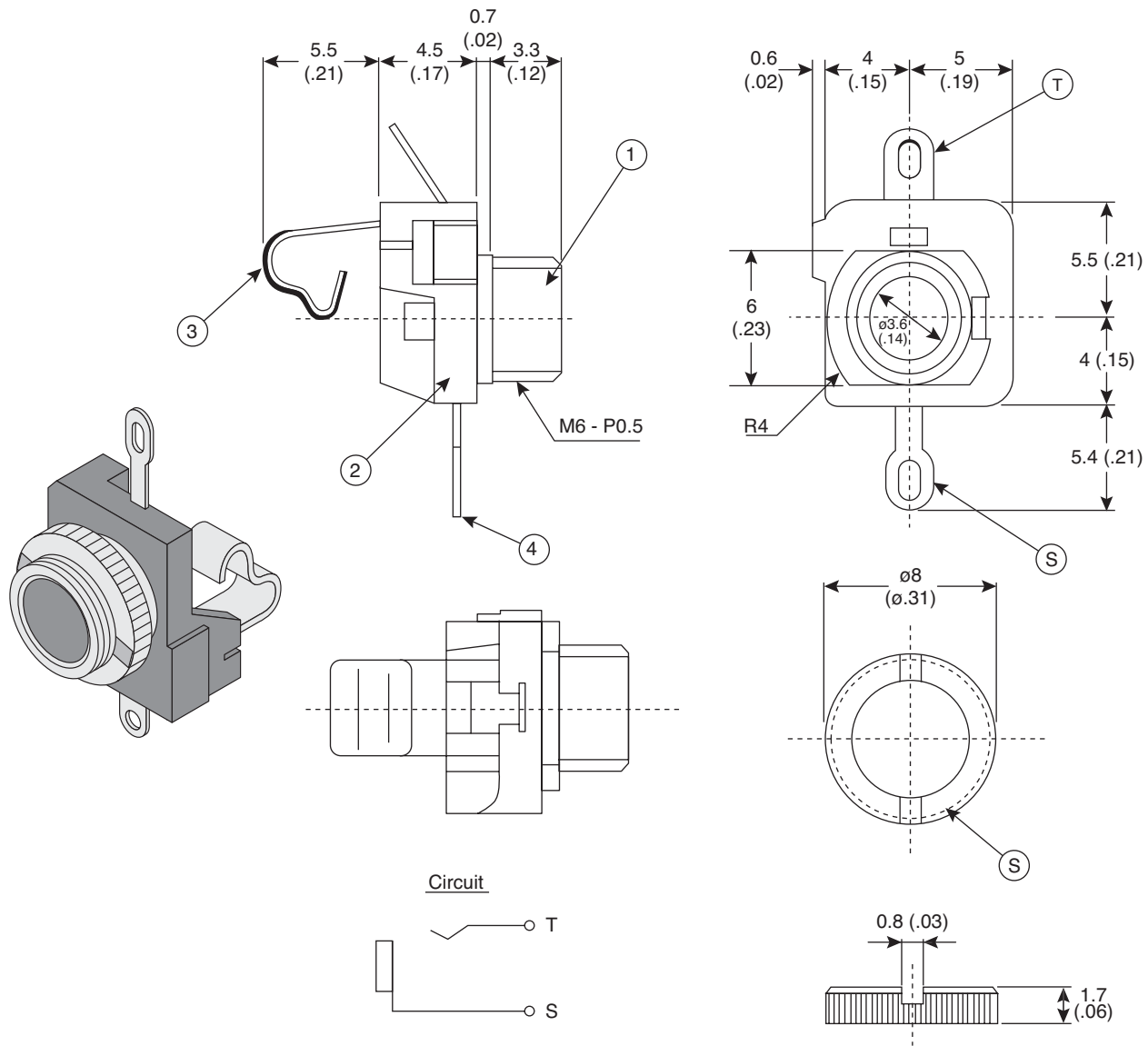


2 Conductor Mini Mono Jack Open Circuit (3.5 - 2)

161-MJ080-EX

KOBICONN

2 Conductor Mini Mono Jack Open Circuit (3.5 - 2)



DIMENSIONS: mm (In.)

SPECIFICATIONS	
Dielectric Strength:	500V AC for one minute
Insulation Resistance:	100M Ω min. @500VDC
Contact Resistance:	50m Ω max.
Tolerance:	± 0.3
RoHS Compliant by Exemption	

No.	Part Name	Material
1	Sleeve	BSBM
2	Body	PC
3	Contact A	Ycut t=0.25
4	Terminal	BSR t=0.3
5	Nut	BSBM

Date Last Revised: 12-12-05

Available from Mouser Electronics
1-800-346-6873
www.mouser.com

KC-300834

161-MJ080-EX