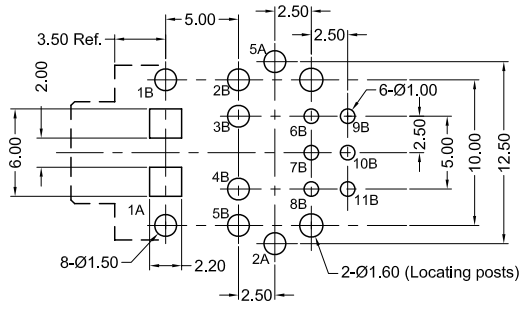


Upper jack

Lower jack



Recommended PCB Layout (Top View)

Materials and Finish

Housing: PA46 Thermoplastic
 15% Glass Filled, Black
 UL 94V-0 Rated
 Color: Black

Terminals: Phosphor Bronze
 Tin Plated
 Pin # 3B, 4B: Brass, Tin plated

Switch Housing: PBT Thermoplastic
 Switch Slide Knob: PBT
 Switch Terminals: Brass, Silver Plated

Electrical Characteristics

Contact Resistance:
 Before Test: 50 mohms Max.
 After Durability Test:
 100 mohms Max.

Insulation Resistance:
 More than 100 Megohms
 at 500V DC

Dielectric Strength:
 500V AC RMS for 1 minute

Operating Temp:
 -25°C to +85°C

Voltage Rating:
 16 Volts DC

Current Rating:
 0.3 A

Max Process Temp:
 With Jack mounted on PCB,
 Terminals immersed in solder bath at
 260±5°C for 10±1 sec.

Mechanical Characteristics

Insertion Force:
 0.4kg - 3.0kg

Extraction Force:
 0.4kg - 3.0kg

Durability: 5000 mating cycles



Tolerances
X.X ± 0.3
X.XX ± 0.2
Unless Stated
Otherwise

REV.	DATE	DESCRIPTION	REV. BY	CHK. BY	DRAWN BY	DATE
A0	10/4/05	New Drawing	R. Aguirre	H. MA	R. Aguirre	07/14/05
A1	01/21/11	ECO #10-095	S. Ven	H. MA		

STX-4235-3/11-N

Stacked 3.5mm/3.5mm Stereo Jacks, RoHS Compliant

3 Position over 11 Position

