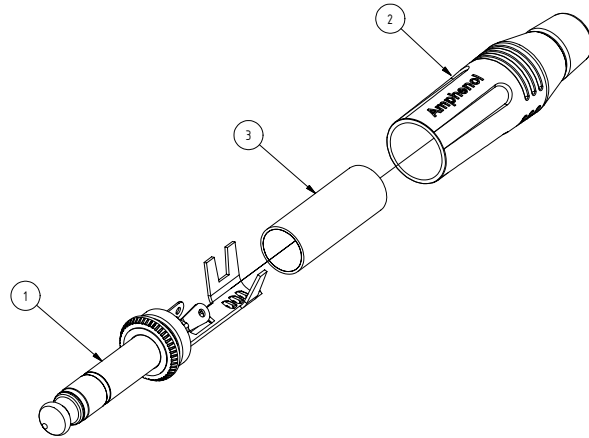


ISO VIEW



Parts List				
ITEM	PART NUMBER	DWG No	DESCRIPTION	QTY
1	50310006-*30	50310006-130-1	INSERT ASSEMBLY	1
2	53490001-*31	53490001-331-1	BACKSHELL ASSEMBLY	1
3	51270016-521	51270013-521-1	PVC INSULATION TUBE	1

Part Numbers According to Shell and Contact Finish			
CATALOGUE P/No	REFERENCE P/No.	SHELL FINISH	CONTACT FINISH
ACPS-GN	55010217-000	NICKEL	NICKEL RING, SLEEVE AND TIP
ACPS-GN-AU	55010217-001	NICKEL	GOLD RING, SLEEVE AND TIP
ACPS-GB	55010217-002	BLACK	NICKEL RING, SLEEVE AND TIP
ACPS-GB-AU	55010217-003	BLACK	GOLD RING, SLEEVE AND TIP

UNLESS OTHERWISE SPECIFIED DIMENSIONS IN MM		THIS DOCUMENT IS THE PROPERTY OF AMPHENOL AUSTRALIA PTY LTD. NO PART THEREOF MAY BE REPRODUCED AND USED WITHOUT THE PRIOR WRITTEN CONSENT OF THE OWNER		1	UPDATE TO REVISED COMPONENT	L.V	1/13/2004	8241
1:1	1:1	CAD FILE: 55010217000111	ISS: TM	DATE: 21/11/2002	0	FIRST ISSUE	TM	21/11/2002
2:1	2:1	MATL: REFER TO COMPONENTS	CRD: M.N.H	DATE: 04-05-04	REV	CHANGE DETAILS	BY	DATE
3:1	3:1	FINISH: SEE TABLE	APPD: P.M	DATE: 04-05-04	TITLE		1/4" PHONE PLUG STEREO ASSY	
4:1	4:1	DO NOT SCALE	SCALE: 2:1 UOS	PART No: SEE TABLE	size: A3	55010217-000-1	Amphenol	
DIMENSIONS IN MILLIMETRES		TOLERANCE PRECISION		DRAWING NO:		SHEET		1/1