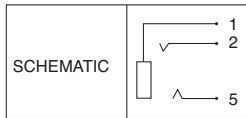
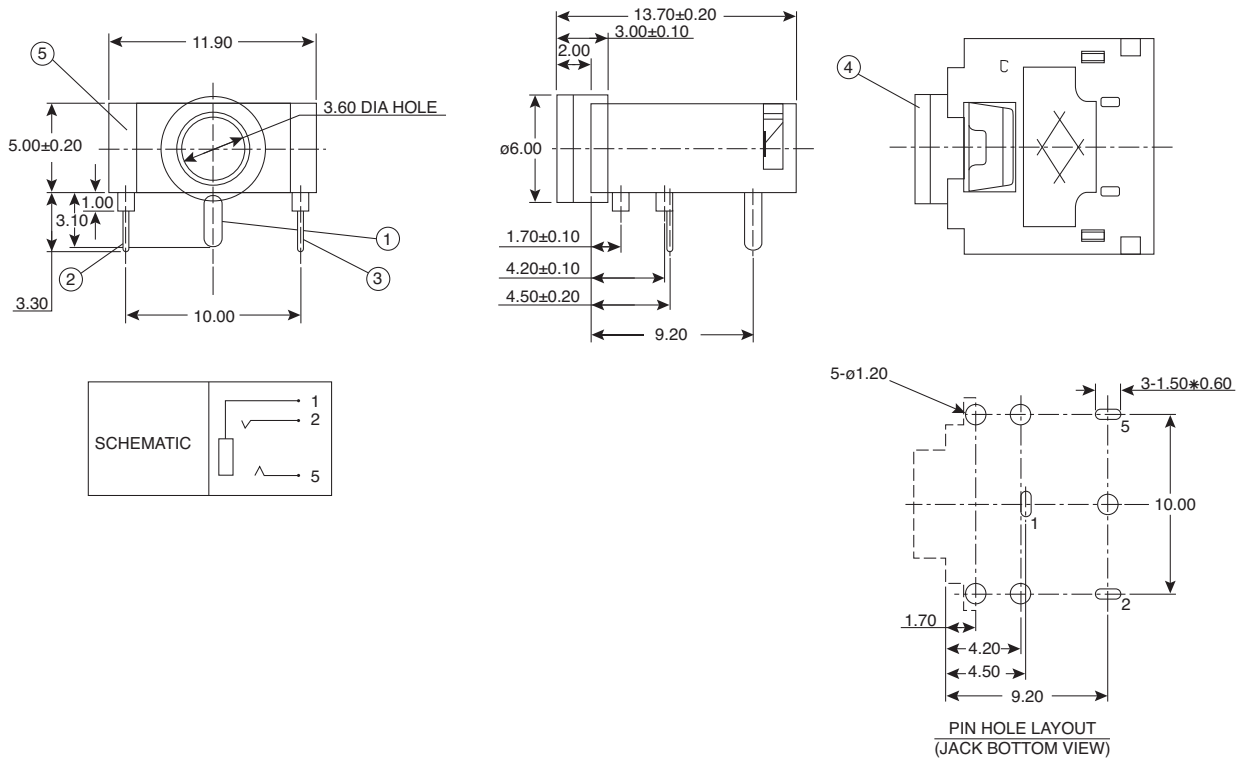


# Phone 3.5mm Stereo

161-3503L-E

**KOBI**CONN

Phone 3.5mm Stereo



Dimensions: mm

MATERIAL SPECIFICATIONS				
No.	Description	Material	QTY	Finish
1	Earth Terminal	0.25T Phosphor Bronze	1	Silver Plated
2	Ring Spring	0.2T TicuR1-M-EH	1	Silver Plated
4	Tip Spring	0.25T TicuR1-M-EH	1	Silver Plated
5	Barrel	Brass	1	Nickel Plated
6	Housing	PBT	1	Black Color

ELECTRICAL SPECIFICATIONS	
<b>Contact Resistance:</b>	30mΩ max
<b>Isulation Resistance:</b>	100MΩ min at DC 500V
<b>Dielectric Withstanding</b>	AC 500V for one minute.
<b>Voltage:</b>	

RoHS Compliant

Date Last Revised: 12/31/08

Available from Mouser Electronics  
1-800-346-6873  
www.mouser.com

KC-301275

161-3503L-E

Specifications are subject to change without notice. No liability or warranty implied by this information. Environmental compliance based on producer documentation.