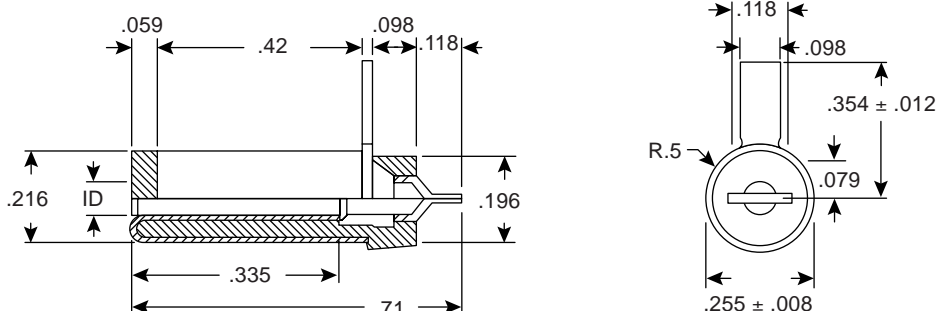
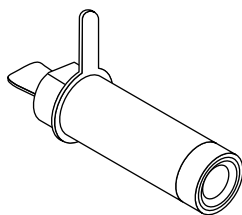


DC Power Plug

171-3211, 171-3212



DC Power Plug



DIMENSIONS (IN)

SPECIFICATIONS

Withstand voltage:	500VAC for 1 minute
Insulation resistance:	100M Ω min. @ 500VDC
Contact resistance:	50m Ω max. @ 500VDC
Power rating:	Max. 12VDC 0.5A
Barrel size (ID):	171-3211 = 2.1mm, 171-3212 = 2.5mm
Socket & sleeve:	nickle plated brass
Insulator:	polycorbin plastic

Application Note:

Electrical conductivity of this plug could be effected if the molding process is not precisely controlled and engineered correctly. Factors such as temperature, pressure, and material used in the molding process can have an effect on the item being molded. Mouser has no control over these factors or the molding process and does not know enough about the various molding processes to recommend one for use. The user must determine the suitability of this product for his/her molding process.

Date Last Revised: 4-14-04

Available from Mouser Electronics
1-800-346-6873
www.mouser.com

KC- 300055

171-3211, 171-3212