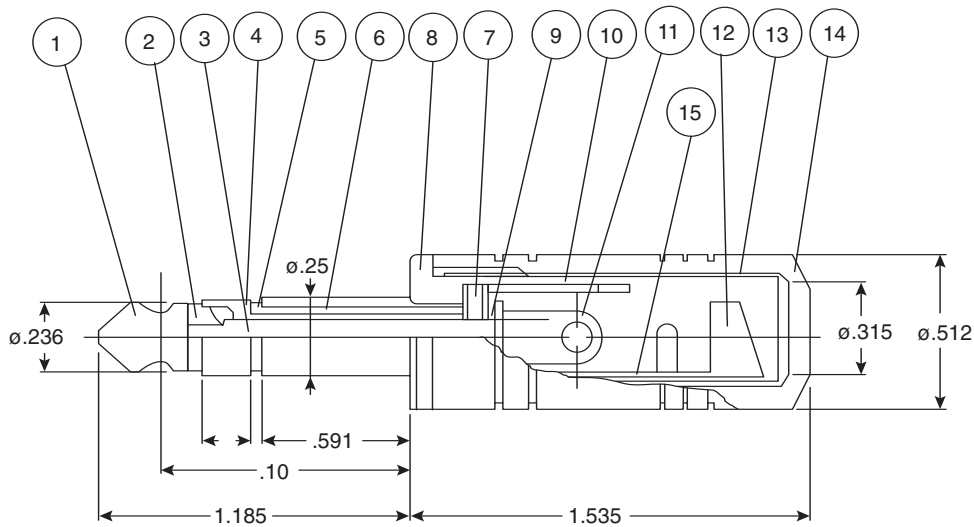
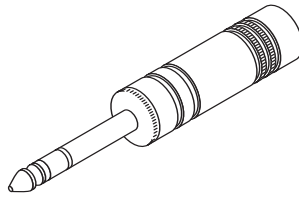


1/4" Stereo Plug

17PP054

KOBICONN

1/4" Stereo Plug



Dimensions: In.

| SPECIFICATIONS | |
|-------------------------------|---------------------|
| Contact Resistance: | 50mΩ |
| Insulation Resistance: | 100MΩ min. @ 500VDC |
| Withstand Voltage: | 500VAC for 1 minute |

| SPECIFICATIONS | |
|----------------|-------------------------------------|
| 1 | Tip-brass |
| 2 | Insulator (ebonite) |
| 3 | Plug core |
| 4 | Sleeve-nickel plated brass |
| 5 | Insulator (ebonite) |
| 6 | Insulator (tube) |
| 7 | Plug base-nickel plated brass |
| 8 | Do |
| 9 | Insulator-phenol |
| 10 | Tip terminal-do |
| 11 | Sleeve terminal-nickel plated brass |
| 12 | Ground terminal-nickel plated brass |
| 13 | Insulator |
| 14 | Handle-nickel plated brass |
| 15 | Insulator-fiber |

Date Last Revised: 11-9-04

Available from Mouser Electronics
 1-800-346-6873
 www.mouser.com

KC-300217

17PP054