

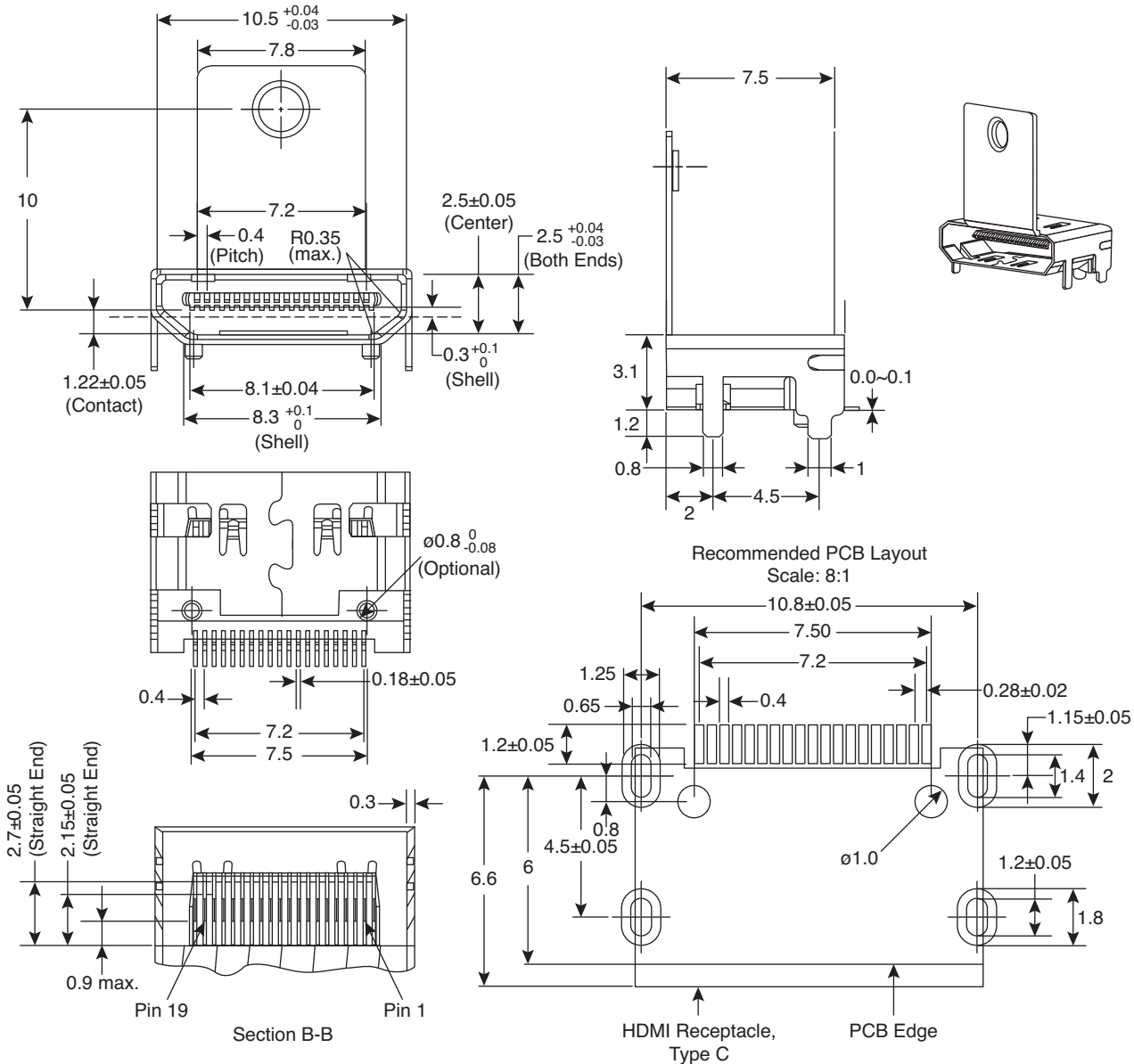
# HDMI Receptacle Type C Right Angle SMT

154-10408-E

**KOBI**CONN

HDMI Receptacle, Type C Right Angle SMT

154-10408-E



Dimensions: mm

SPECIFICATIONS	MATERIALS
Current Rating: 0.5A Voltage Rating: 40V DC Contact Resistance: 10m $\Omega$ MAX. Insulation Resistance: 100M $\Omega$ MIN. Operating Temperature: 25°C ~ +85°C	Housing: High temp. plastic UL94V-0, Black Shell: Copper Alloy Shell Plating: Nickel underplating overall Terminal: Copper Alloy Terminal Plating: Tin selective gold
RoHS Compliant	

Date Last Revised: 06/04/09

Available from Mouser Electronics  
1-800-346-6873 / [www.mouser.com](http://www.mouser.com)

KC-301233

Specifications are subject to change without notice. No liability or warranty implied by this information. Environmental compliance based on producer documentation.