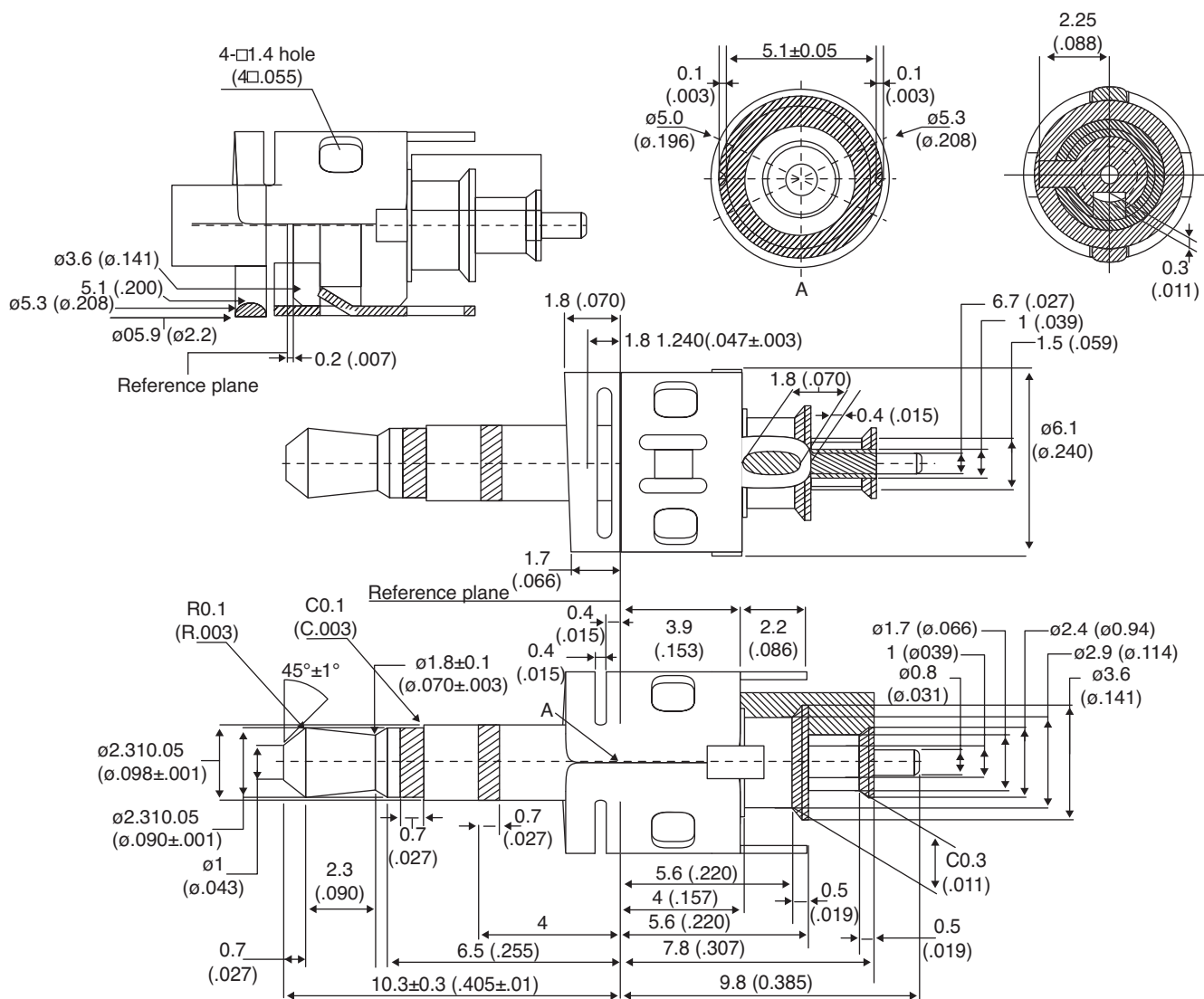


# 2.5mm 4 Conductor Plug

171-M19442-EX



2.5mm 4 Conductor Plug



Dimensions: mm (in.)

Electrical Specifications	
Insulation resistance:	100 Megaohm min. @500 VDC.
Dielectric strength:	500 VAC for one minute.
Contact Resistance:	50 miliohm max.
Rating:	34VAC/DC 0.5A
Operating temperature:	-25°C to 70°C
Mates with:	161-2828-E
RoHS Compliant by exemption	

Date Last Revised: 6-27-07

Available from Mouser Electronics  
1-800-346-6873 / www.mouser.com

KC-301156

171-M19442-EX

Specifications are subject to change without notice. No liability or warranty implied by this information. Environmental compliance based on producer documentation.