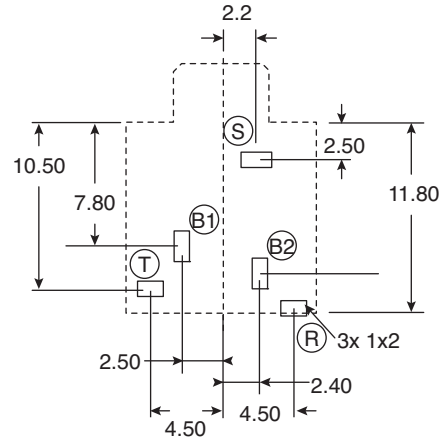
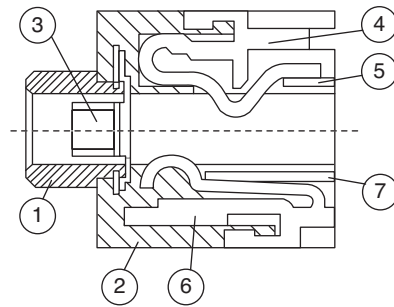
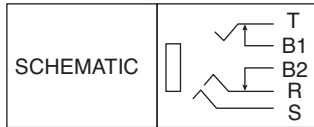


Stereo Phone Jack 3.5mm

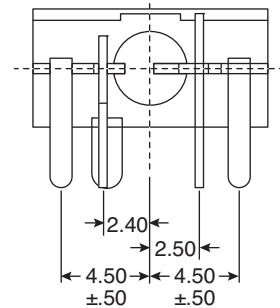
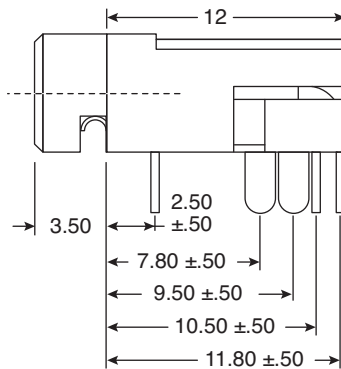
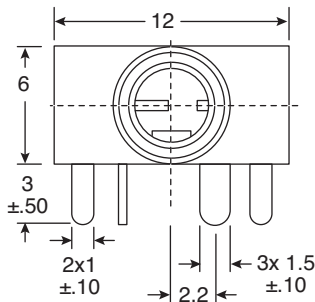
161-156L-5-EX



Stereo Phone Jack 3.5mm



Hole Layout
(Bottom View)



Dimensions: mm.

ELECTRICAL SPECIFICATIONS	
Contact Resistance:	50mΩ max.
Insulation Resistance:	100MΩ @ DC 500V
Withstand Voltage:	AC 500V for one min.
Life Cycle:	5,000 cycles minimum
RoHS compliant by exemption	

No.	MECHANICAL SPECIFICATIONS	
7	Break-Shunt Spring B (B2)	0.4T Brass, Silver Plated, Qty. 1
6	Ring Spring (R)	0.5T PBS, Silver Plated, Qty. 1
5	Break-Shunt Spring A (B1)	0.4T Brass, Silver Plated, Qty. 1
4	Tip Spring (T)	0.5T PBS, Silver Plated, Qty. 1
3	Sleeve Spring (S)	0.2T FAB, Silver Plated, Qty. 1
2	Body	PBT, Qty. 1
1	Sleeve Metal	Brass, Nickel Finish, Qty. 1

Date Last Revised: 09-15-09

Available from Mouser Electronics
1-800-346-6873 / www.mouser.com

KC-301285

Specifications are subject to change without notice. No liability or warranty implied by this information. Environmental compliance based on producer documentation.

161-156L-5-EX