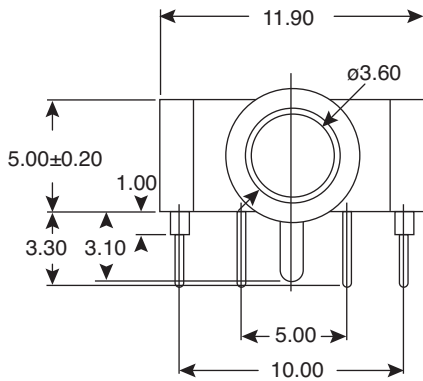
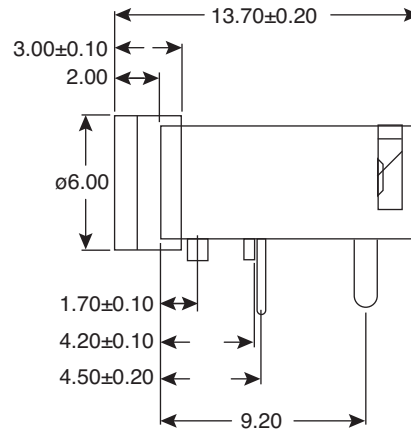
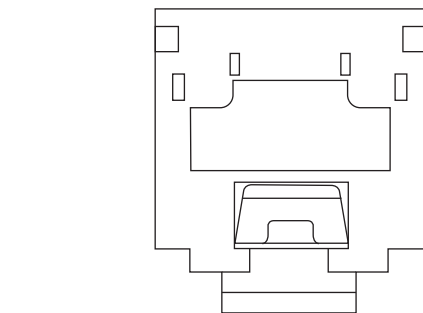


Phone Jack 3.5mm Stereo

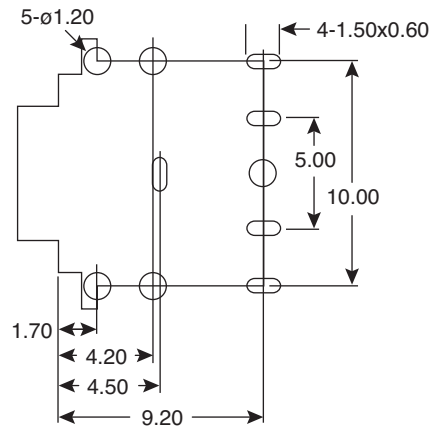
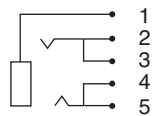
161-3525L-E



Phone Jack 3.5mm Stereo



Schematic



Pin Hole Layout
(Bottom View)

Dimensions: mm

MATERIAL SPECIFICATIONS

Housing:	PBT, Black
Barrel:	Brass, Nickel Plated
Tip Spring:	0.25T TicuR1-M-EH, Silver Plated
Break Terminal:	0.3T Brass, Silver Plated
Ring Spring:	0.2T TicuR1-M-EH, Silver Plated
Earth Terminal:	0.25T Phosphor Bronze, Silver Plated

ELECTRICAL SPECIFICATIONS

Contact Resistance:	30mΩ Max.
Insulation Resistance:	1000MΩ Min.
Withstanding Voltage:	500 V AC/minute
RoHS Compliant	

Date Last Revised: 10/27/08

Available from Mouser Electronics
1-800-346-6873 / www.mouser.com

KC-301272

Specifications are subject to change without notice. No liability or warranty implied by this information. Environmental compliance based on producer documentation.

161-3525L-E