

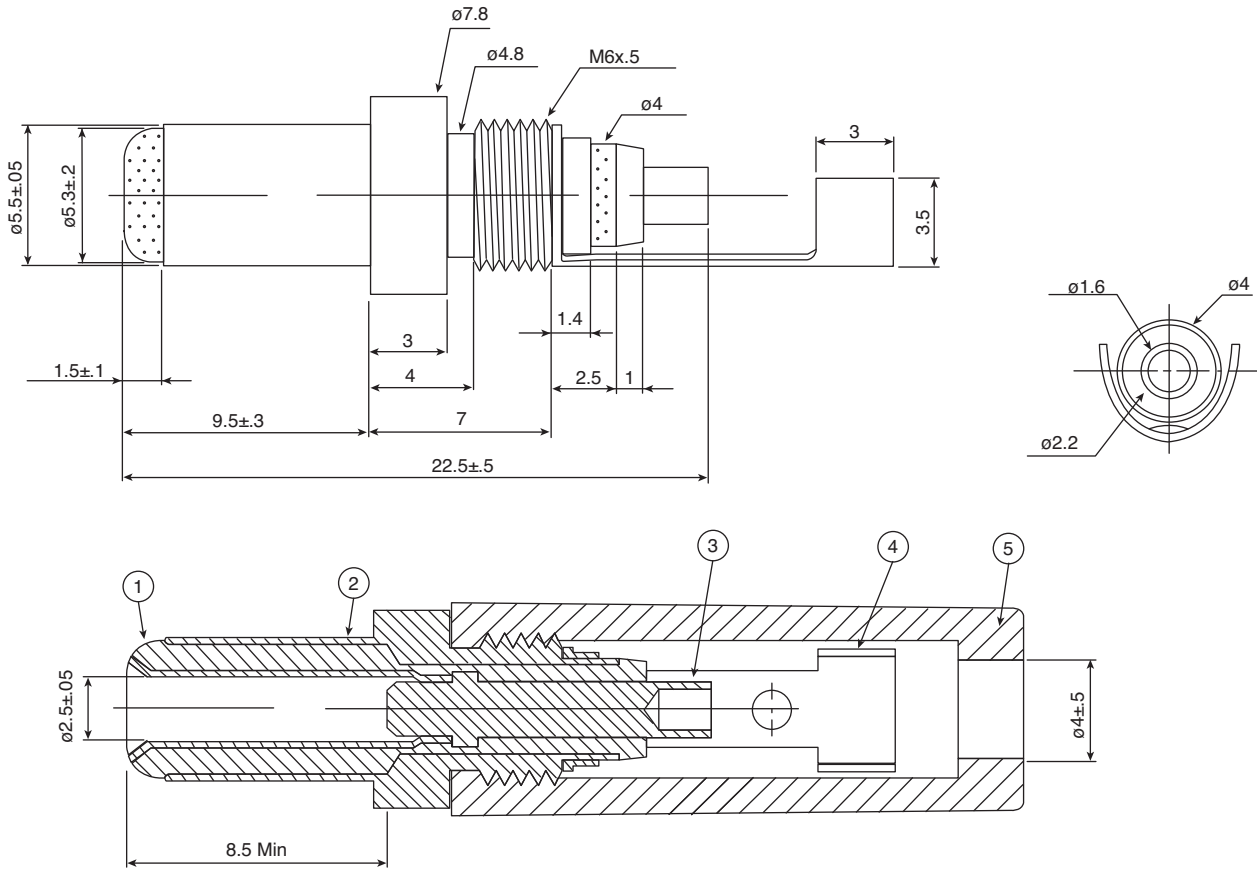
# DC Power Plug 2.5mm

## 171-PA5525-1GY-E



DC Power Plug 2.5mm

171-PA5525-1GY-E



Dimensions: mm

MATERIAL SPECIFICATIONS	
1:	ABS Grey
2:	Brass Nickel
3:	Brass Nickel
4:	Brass Nickel
5:	POM Black

### SPECIFICATIONS

RoHS Compliant

Date Last Revised: 8/19/09

Available from Mouser Electronics  
1-800-346-6873 / [www.mouser.com](http://www.mouser.com)

KC- 301369

Specifications are subject to change without notice. No liability or warranty implied by this information. Environmental compliance based on producer documentation.