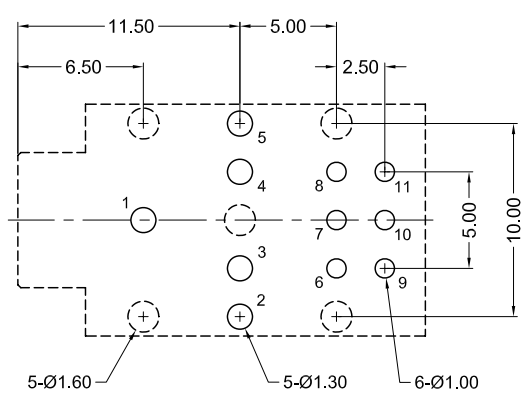
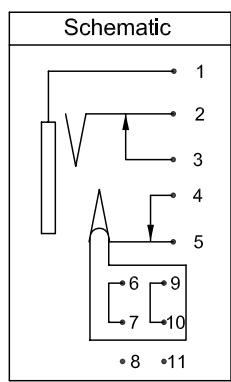
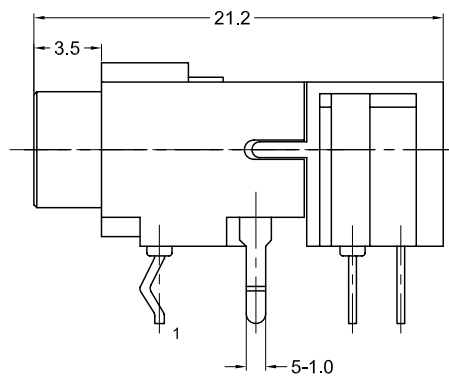
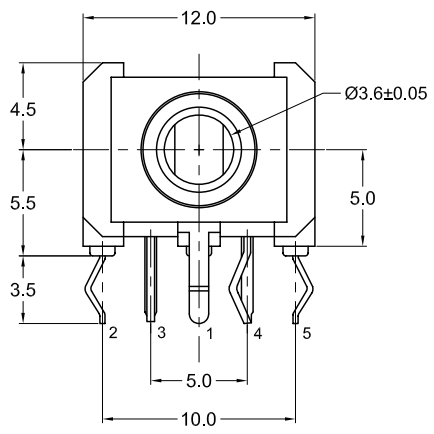


KYCON, Inc. 1810 Little Orchard Street, San Jose, CA 95125 (408)494-0330



Recommended PCB Layout (Bottom View)

Materials and Finish

Housing: PBT Thermoplastic
15% Glass Filled, Black
UL 94V-0 Rated

Jack Terminals:
Brass, Tin Plated

Slide Switch Terminals:
Brass, Silver Plated

Electrical Characteristics

Contact Resistance:
Before Test: 50mohms Max.
After Durability Test:
100 mohms Max.

Insulation Resistance:
More than 100 Megohms
at 500V DC

Dielectric Strength:
500V AC RMS for 1 minute

Operating Temp:
-25°C to +85°C

Mechanical Characteristics

Insertion Force:
0.4kg - 3.0kg

Extraction Force:
0.3kg - 3.0kg



Tolerances
X.X ± 0.25
X.XX ± 0.15
Unless Stated Otherwise

REV.	DATE	DESCRIPTION	REV. BY	CHK. BY	DRAWN BY	DATE
A1	9/6/05	New Drawing	R. Aguirre	H. MA	R. Aguirre	07/11/05
B1	07/24/09	ECO #09-046	S. Vlen	H. MA		

STX-3100-11N

Ø3.5mm Stereo Jack, Male, RoHS Compliant
With Double Throw, Double Pole Switch

