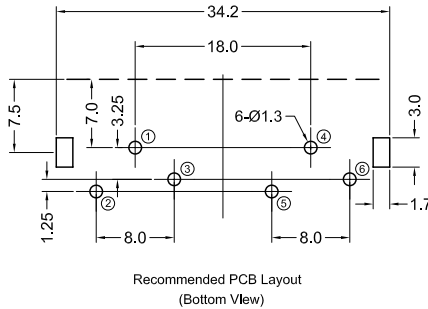
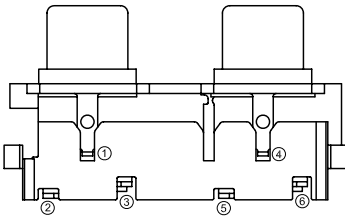
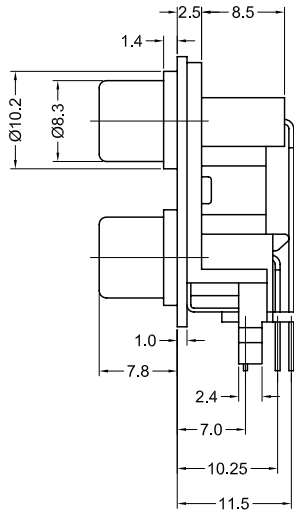
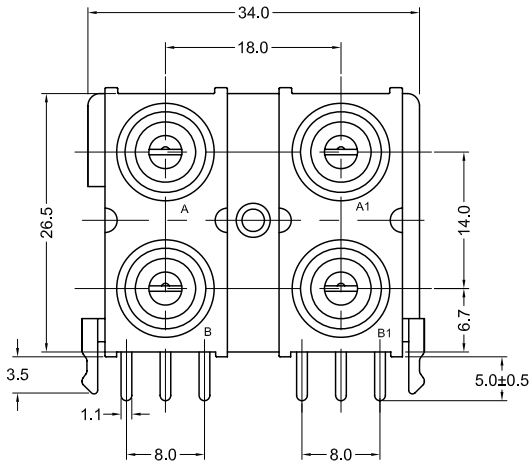


KYCON, Inc. 1810 Little Orchard Street, San Jose, CA 95125 (408)494-0330



Materials and Finish

- Housing: PBT UL 94V-0
- Color: Black
- Barrel: Brass
- Plating: Nickel Plated
- Terminals: Brass
- Plating: Tin Plated
- Ground Pin: Nickel Plated

Electrical Characteristics

- Rated Current: 0.3A Max.
- Rated Voltage: 16V DC
- Contact Resistance: 50 millohms Max.
- Insulation Resistance: 100 Megohms min. at 500V DC
- Withstanding Voltage: 500V AC RMS for 1 minute

Mechanical Characteristics

- Insertion Force: 0.3kg - 5.0kg
- Extraction Force: 0.3kg - 5.0kg
- Durability: 1000 mating cycles min.
- Operating Temp: -20°C to +60°C

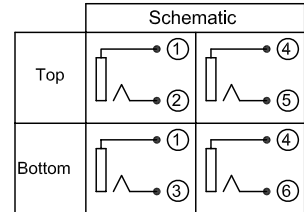
Ordering Information:

KLP42X-61-AA1/BB1

Jack Color

Available Color Options:

BB/BB, RR/WW, RW/RW, WB/RW, WR/BB, WR/WR
 WW/RR, WW/WW, YW/YW, YY/WW, YY/YY



RoHS COMPLIANT
 EU Directive 2002/95/EC

Tolerances
 X.X ± 0.25
 X.XX ± 0.15
 Unless Stated
 Otherwise

REV.	DATE	DESCRIPTION	REV. BY	CHK. BY	DRAWN BY	DATE
A1	6/27/05	New Drawing	N.Chang	C. Furumasu	N.Chang	6/27/05
A2	3/24/06	Release Drawing	H. MA	N/A		
A3	4/26/06	ECO#06-030	H. MA	C. Furumasu		
A4	03/12/08	ECO #06-020	R. Aguirre	H. Ma		
A5	09/23/08	Add Color Option	S. Vien	H. MA		
A6	4/12/11	Add Spec	S. Vien	H. MA		

KLP42X-61-xx/xx

Stacked RCA Jack, RoHS Compliant
 Right Angle PCB Mount

