

**Materials and Finish**

Housing: PBT Thermoplastic  
15% Glass Filled, Black Color,  
UL 94V-0 Rated

**Terminals:**

- Pin # 2R, 5T: Phosphor Bronze, Matte Tin Plated
- Pin # 1S: Copper Alloy, Nickel Plated

**Electrical Characteristics**

Contact Resistance:  
Before Test: 50 milliohms Max.  
After Durability Test:  
100 milliohms Max.

Insulation Resistance:  
More than 100 Megohms  
at 500V DC

Dielectric Withstanding Voltage:  
500V AC RMS for 1 minute

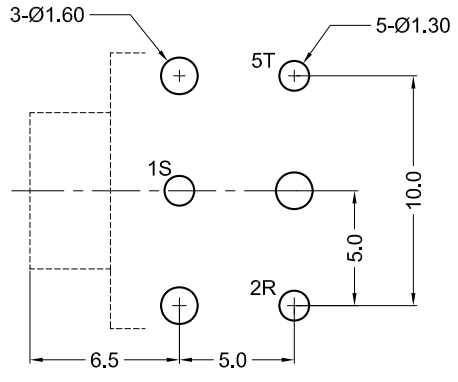
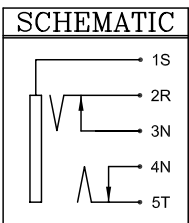
Operating Temp:  
-25°C to +100°C

**Mechanical Characteristics**

Insertion Force:  
0.4kg - 3.0kg

Extraction Force:  
0.3kg - 3.0kg

Durability: 5000 mating cycles



Recommended PCB Layout  
(Bottom View)

**RoHS COMPLIANT**  
EU Directive 2002/95/EC



Tolerances	
X.X	± 0.3
X.XX	± 0.15
Unless Stated Otherwise	

REV.	DATE	DESCRIPTION	REV. BY	CHK. BY	DRAWN BY	DATE
A0	5/26/05	New Drawing	H. MA	C. Furumasu	H. MA	5/26/05
A1	6/7/06	Release Drawing	H. MA	N/A	H. MA	5/26/05
B1	10/18/10	ECO #10-068	P. DalCanto	H. MA	H. MA	
B2	5/2/11	ECO #11-027	P. DalCanto	H. MA	H. MA	

**STX-3200-3NB**

High Profile Stereo Jack, 3 pos., RoHS compliant

Metal Bushing, Nonthreaded, with Backplate

