



Features

- Recommended for reflow soldering
- Rotor design compatible with pick and place and automatic adjustment equipment
- 3 mm size meets EIA/EIAJ standard trimmer footprint
- RoHS compliant*



Model TC43 is obsolete, and not recommended for new designs. Model TC33 is preferred.

TC43 - 3 mm SMD Trimming Potentiometer

Electrical Characteristics

Standard Resistance Range 100 ohms to 1 megohm
 (see standard resistance table)
 Resistance Tolerance $\pm 25\%$ std.
 Absolute Minimum Resistance
 $\leq 1K$ Ohms 20 ohms max.
 $> 1K$ Ohms 2 % max. of TR
 Contact Resistance Variation .. 5 % max.
 Resolution Essentially infinite
 Adjustment Angle $260^\circ \pm 20^\circ$

Environmental Characteristics

Power Rating (50 VDC max.)
 $70^\circ C$ 0.15 watt
 Temperature Range ... $-40^\circ C$ to $+100^\circ C$
 Temperature Coefficient ... ± 250 ppm/ $^\circ C$
 Humidity 95 % RH
 TRS Max. $\pm 5\%$
 Load Life ... @ $70^\circ C$ rated power 1000 hrs.
 TRS $\pm 5\%$
 Rotational Cycling 20 cycles
 TRS $\pm 10\%$

Physical Characteristics

Torque 0.98 - 11.76 mN-m max.
 Mechanical Angle $270^\circ \pm 20^\circ$
 Marking Part marking code
 Standard Packaging .. 2500 pcs./7" reel
 Adjustment Tool H-90

How To Order

TC43 X - 2 - 103 E

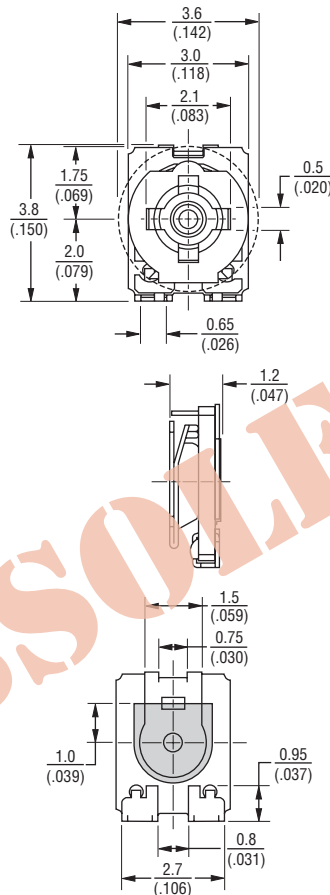
Model _____
 Style _____
 Standard Product Indicator
 -2 = Cross Slot Rotor
 Resistance Code _____
 Embossed Tape Designator _____
 E = 2500 pcs./7" Reel (Standard)

Standard Resistance Table

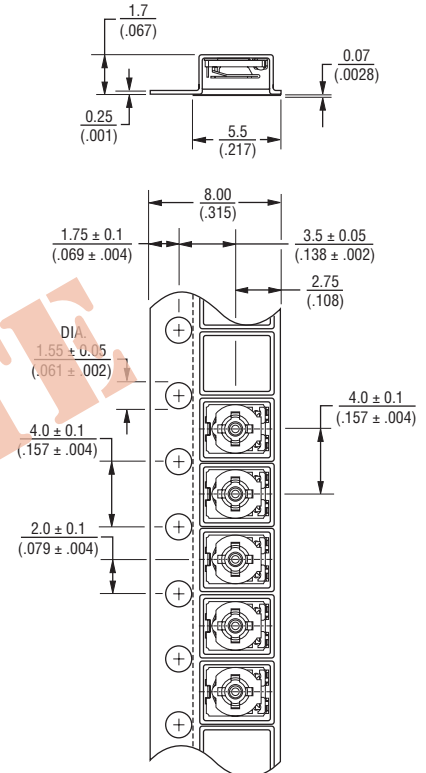
Resistance (Ohms)	Resistance Code
100	101
200	201
500	501
1,000	102
2,000	202
5,000	502
10,000	103
20,000	203
50,000	503
100,000	104
200,000	204
500,000	504
1,000,000	105

Popular distribution values listed in boldface.

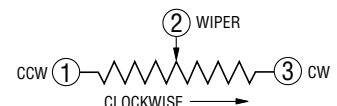
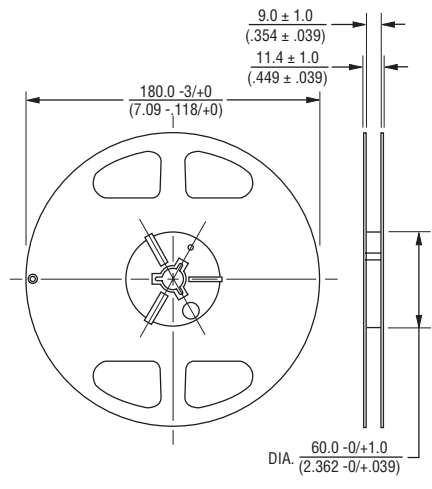
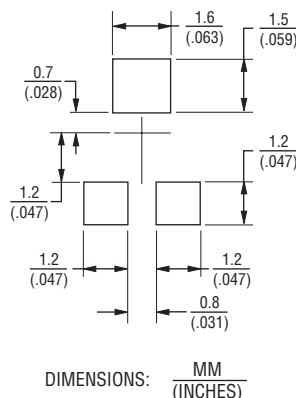
Product Dimensions



Packaging Specifications



Recommended Land Pattern



*RoHS Directive 2002/95/EC Jan 27 2003 including Annex. Specifications are subject to change without notice. Customers should verify actual device performance in their specific applications