

## Features

- Multiturn / Cermet / Industrial / Sealed
- Standoffs
- Patent #4427966 drive mechanism
- [Listed on the QPL](#) for style RJ24 per MIL-R-22097 and RJR24 per High-Rel Mil-R-39035

# RJ24/RJR24 - 3/8" Square Trimming Potentiometer

### Electrical Characteristics

Standard Resistance Range .....10 to 1 megohm  
 (see standard resistance table)  
 Resistance Tolerance .....±10 % std.  
 Absolute Minimum Resistance .....1 ohm max.  
 Contact Resistance Variation .....3.0 % or 3 ohms max.  
 (whichever is greater)  
 Adjustability  
 Voltage .....±0.01 %  
 Resistance .....±0.05 %  
 Resolution.....Infinite  
 Insulation Resistance .....500 vdc.  
 1,000 megohms min.  
 Dielectric Strength  
 Sea Level .....1,000 vac  
 80,000 Feet.....400 vac  
 Effective Travel......25 turns nom.

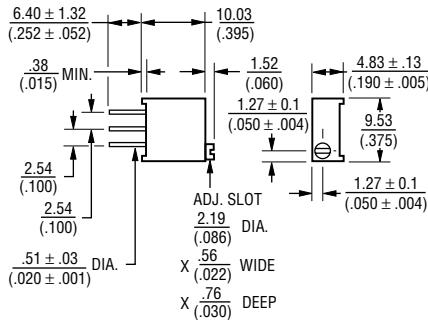
### Environmental Characteristics

Power Rating (300 volts max.)  
 85 °C .....0.5 watt  
 150 °C .....0 watt  
 Temperature Range .....-55 °C to +150 °C  
 Temperature Coefficient .....±100 ppm/°C  
 Seal Test .....85 °C Fluorinert\*  
 Humidity.....MIL-STD-202 Method 106  
 RJ24 .....96 hours  
 (1 % ΔTR, 10 Megohms IR)  
 RJR24.....96 hours  
 (1 % ΔTR, 100 Megohms IR)  
 Vibration.....20 G (1 % ΔTR; 1 % ΔVR)  
 Shock.....100 G (1 % ΔTR; 1 % ΔVR)  
 Load Life  
 RJ24 .....1,000 hours 0.5 watt @ 85 °C  
 (2 % ΔTR; 10% ΔVR)  
 RJR24..10,000 hours 0.5 watt @ 85 °C  
 (3 % ΔTR)  
 Rotational Life.....200 cycles (2 % ΔTR)

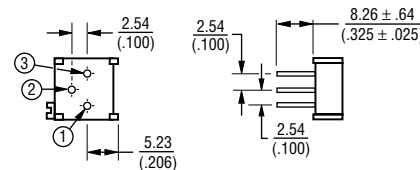
### Physical Characteristics

Torque .....5.0 oz-in. max.  
 Mechanical Stops.....Wiper idles  
 Terminals .....MIL-STD 202, Method 208  
 Weight .....0.025 oz.  
 Marking .....Mil-spec part number,  
 date code  
 Wiper.....50 % ±10 %  
 Flammability .....U.L. 94V-0  
 Standard Packaging .....50 pcs. per tube  
 Adjustment Tool .....H-90

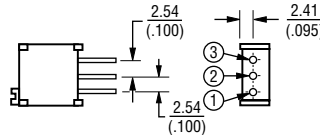
### Common Dimensions



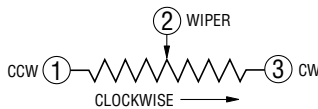
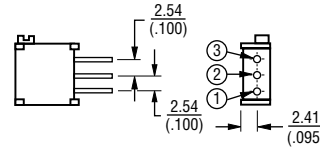
### 3296P



### 3296W



### 3296X



TOLERANCES: ± 0.25 (.010) EXCEPT WHERE NOTED

DIMENSIONS ARE:  $\frac{\text{MM}}{\text{(INCHES)}}$

### Standard Resistance Table

Resistance (Ohms)	Resistance Code
<b>10</b>	<b>100</b>
<b>20</b>	<b>200</b>
<b>50</b>	<b>500</b>
<b>100</b>	<b>101</b>
<b>200</b>	<b>201</b>
<b>500</b>	<b>501</b>
<b>1,000</b>	<b>102</b>
<b>2,000</b>	<b>202</b>
<b>5,000</b>	<b>502</b>
<b>10,000</b>	<b>103</b>
<b>20,000</b>	<b>203</b>
<b>25,000</b>	<b>253</b>
<b>50,000</b>	<b>503</b>
<b>100,000</b>	<b>104</b>
<b>200,000</b>	<b>204</b>
<b>250,000</b>	<b>254</b>
<b>500,000</b>	<b>504</b>
<b>1,000,000</b>	<b>105</b>

Popular values listed in boldface. Special resistances available.

### How To Order

See "[Mil-Spec Numbering System](#)" for Model RJ24/RJR24 ordering system.

\*"FLUORINERT" IS A REGISTERED TRADEMARK OF 3M CO.