

DUAL ENTRY SOLENOID KEY OPERATED SAFETY INTERLOCK NOMENCLATURE

GK

BODY / INDICATOR	CONDUIT / SEAL	BASIC II	HEAD	KEY	TYPE / OVER-RIDE	SOLENOID VOLTAGE
L HEAD TO LEFT - WITH INDICATORS	A 1/2 NPT - VITON SEALS	2 2 SNAP ACTION DPDT	L OPENING TO FRONT AND TOP	6 STRAIGHT	A SOLENOID UNLOCK WITH SCREWDRIVER	1 12 VDC
R HEAD TO RIGHT - WITH INDICATORS	B PG 13.5 - VITON SEALS	3 2 SLOW ACTING SPDT BBM	M OPENING TO RIGHT AND TOP	7 90 DEGREE	S SLOT OVER-RIDE	2 24 VDC
F HEAD TO LEFT - WITHOUT INDICATORS	C 20 MM - VITON SEALS	4 SLOW ACTING 2 NC	N OPENING TO BACK AND TOP	8 UP - DOWN, SPRING LOADED	B SOLENOID UNLOCK WITHOUT OVER-RIDE	3 48 VDC
G HEAD TO RIGHT - WITHOUT INDICATORS	D PF 1/2 - VITON SEALS	10 SLOW ACTING 4 NC	P OPENING TO LEFT AND TOP	9 SIDE - SIDE, SPRING LOADED	S SOLENOID LOCK WITH SCREWDRIVER	4 120 VAC
	E 1/2 NPT - BUNA-N SEALS	12 SLOW ACTING 2 NC - 1 NO BBM		X NO KEY	T SLOT OVER-RIDE	6 240 VAC
	F PG 13.5 - BUNA-N SEALS	14 SLOW ACTING 2 NC - 2 NO BBM - GOLD				
	G 20 MM - BUNA-N SEALS	15 SLOW ACTING 2 NC - 2 NO BBM - GOLD				
	H PF 1/2 - BUNA-N SEALS	16 SLOW ACTING 3 NC - 1 NO BBM				
		30 2 SLOW ACTING 4 NC - GOLD				
		32 2 SLOW ACTING 2 NC - 1 NO BBM - GOLD				
		34 2 SLOW ACTING 2 NC - 2 NO BBM - GOLD				
		36 2 SLOW ACTING 3 NC - 1 NO BBM - GOLD				
		40 2 SLOW ACTING 4 NC				
		42 2 SLOW ACTING 2 NC - 1 NO BBM				
		44 2 SLOW ACTING 2 NC - 2 NO BBM				
		46 2 SLOW ACTING 3 NC - 1 NO BBM				

NOTES

- 1 - ZINC DIECAST BODY AND HEAD WITH STEEL COVER. BODY, HEAD AND COVER FINISHED WITH EPOXY PAINT.
- 2 - PROVIDED WITH PLASTIC SNAP FIT COVER TO PLUG UNUSED KEY ENTRY WINDOW.
- 3 - THE LEFT INDICATOR IS GREEN AND THE RIGHT INDICATOR IS RED. NOT PRESENT ON BODY/INDICATOR CODES F OR G.
- 4 - MAXIMUM OPERATING FREQUENCY (Fmax) : 100 OPS/MIN
- 5 - INSERTION FORCE : 35 N
8 LB
EXTRACTION FORCE : 28 N
6 LB
MAXIMUM SOLENOID LOCKING FORCE : 1000 N
224 LB
- 6 - ROTATE 1/4 TURN CLOCKWISE TO UNLOCK DEVICES WITH HEAD TO LEFT, SOLENOID UNLOCK AND DEVICES WITH HEAD TO RIGHT, SOLENOID LOCK. ROTATE 1/4 TURN COUNTERCLOCKWISE TO UNLOCK DEVICES WITH HEAD TO LEFT, SOLENOID LOCK AND DEVICES WITH HEAD TO RIGHT, SOLENOID UNLOCK.
- 7 - NOT PRESENT ON TYPE/OVER-RIDE CODES B OR T.
- 8 - SWITCH MUST OPERATE BEFORE REACHING MINIMUM INSERTION DISTANCE.
- 9 - T-15 TAMPERPROOF TORX DRIVER BIT PROVIDED.
- 10 - ELECTRICAL RATINGS ARE FOR BASIC SWITCHES.
- 11 - MINIMUM SOLENOID VOLTAGE : 80% DC, 85% AC OF RATED VOLTAGE
MAXIMUM SOLENOID VOLTAGE : 110% OF RATED VOLTAGE
SOLENOID POWER : 12 WATTS NOMINAL
- 12 - SEE PAGES 10, 11, 12 AND 13 FOR CIRCUIT DIAGRAMS
- 13 - NO CHANGES CAN BE MADE TO THIS DRAWING WITHOUT JOINT FREIGHT / WAREHOUSE APPROVAL.
- 14 - THE LEFT INDICATOR IS YELLOW AND THE RIGHT INDICATOR IS RED
- 15 - 10-PIN CONNECTOR, BRAD HARRISON PART NO.3R1006AZ1F010 OR EQUIVALENT OR EQUIVALENT
- 16 - 4-PIN CONNECTOR, WOODHEAD PART NO.80599-19 OR MOLEX PART NO.08631M2
- 17 - 5-PIN CONNECTOR, BRAD HARRISON PART NO.41310 OR EQUIVALENT
- 18 - CONNECTOR INSTALLED IN BOTTOM CONDUIT HOLE
- 19 - CONNECTOR INSTALLED IN SIDE CONDUIT HOLE
- 20 - "S" MARK APPROVAL APPLICABLE ONLY FOR GKLE4XXXX, GKLE46XXXX, GKRE4XXXX AND GKRE46XXXX SERIES ONLY

ELECTRICAL RATING (A)				ENVIRONMENTAL RATINGS		APPROVALS
AC	DC			IP48 NEMA 1, 4, 6P, 12 & 13		
A300	AC 15	Q300	DC 13	TEMP RANGE	-25°C TO 40°C	
Ue	Ie	Ue	Ie	STORAGE	-13°F TO 104°F	
(VOLTS)	(AMPS)	(VOLTS)	(AMPS)		-40°C TO 120°C	
120	6	24	2.9		-40°F TO 248°F	
240	3	125	.55	SHOCK: 50G PER IEC 68-2-27		
		250	.27	VIBRATION: 10G PER IEC 68-2-6		
11b - 10 A						

THIRD ANGLE PROJECTION

SCALE: 1:1

DO NOT SCALE PRINT

TOLERANCES UNLESS OTHERWISE SPECIFIED

THIS DRAWING COVERS A PROPRIETARY ITEM AND IS THE PROPERTY OF MICRO SWITCH, A DIVISION OF HONEYWELL. THIS DRAWING IS NOT TO BE COPIED OR USED WITHOUT THE APPROVAL OF MICRO SWITCH.

THIS DRAWING IS NOT TO BE COPIED OR USED WITHOUT THE APPROVAL OF MICRO SWITCH.

DATE: 08/11/03

DESIGNER: J. J. J.

ENGINEER: J. J. J.

CHECKED: J. J. J.

APPROVED: J. J. J.

WEIGHT: 1.5 kg / 3.3 lb

THIS DRAWING COVERS A PROPRIETARY ITEM AND IS THE PROPERTY OF MICRO SWITCH, A DIVISION OF HONEYWELL. THIS DRAWING IS NOT TO BE COPIED OR USED WITHOUT THE APPROVAL OF MICRO SWITCH.

THIS DRAWING IS NOT TO BE COPIED OR USED WITHOUT THE APPROVAL OF MICRO SWITCH.

DATE: 08/11/03

DESIGNER: J. J. J.

ENGINEER: J. J. J.

CHECKED: J. J. J.

APPROVED: J. J. J.

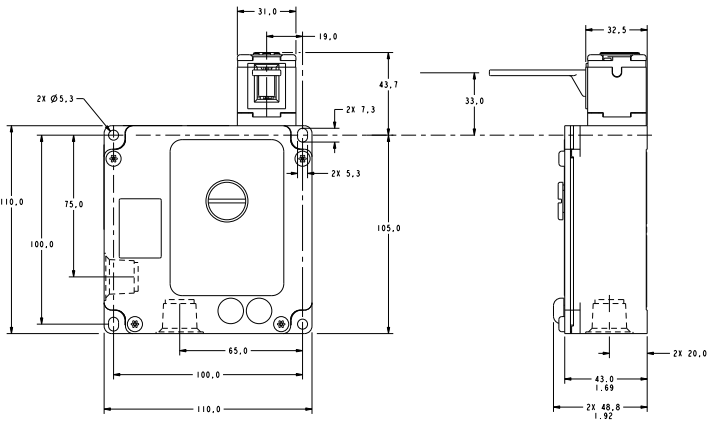
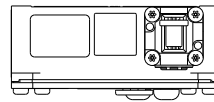
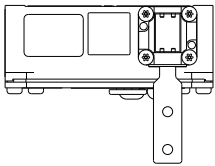
WEIGHT: 1.5 kg / 3.3 lb

ANSI Y14.5M-1982 APPLICABLE

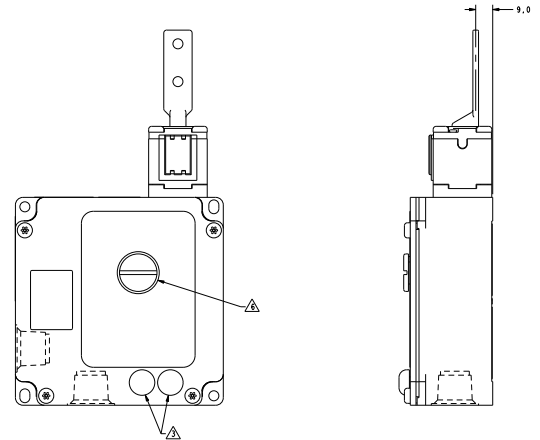
MICRO SWITCH
Honeywell Division

SWITCH - DOOR INTERLOCK

GK SERIES CHART 4



FRONT KEY ENTRY



TOP KEY ENTRY

BODY / INDICATOR CODES R OR G

THIS DRAWING COVERS A PROPRIETARY ITEM AND IS THE PROPERTY OF MICRO SWITCH, A DIVISION OF HONEYWELL. THIS DRAWING IS NOT TO BE COPIED OR USED WITHOUT THE APPROVAL OF MICRO SWITCH.
 THE MICRO SWITCH COMPANY - CONTACT TESTING

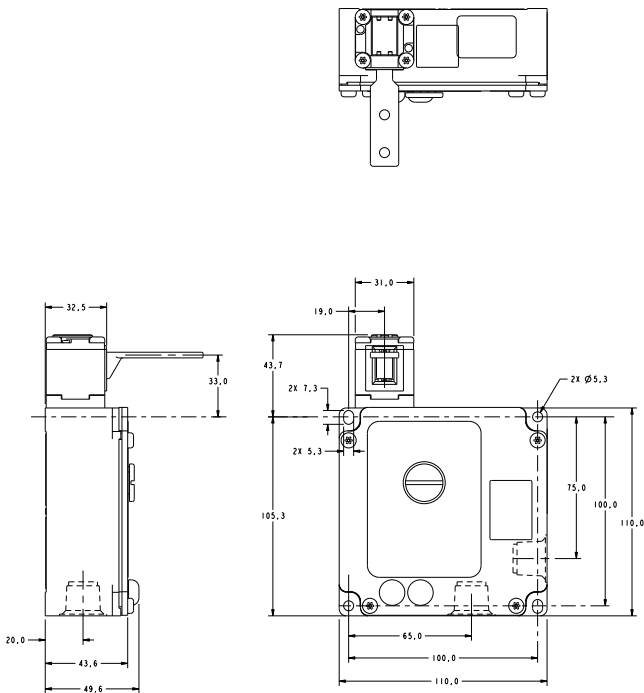
MICRO SWITCH
 Honeywell Division

SWITCH - DOOR INTERLOCK

GK SERIES CHART 4

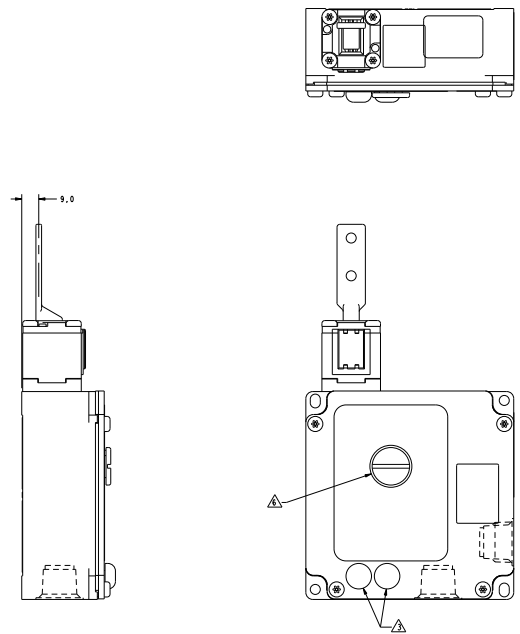
ANSI Y14.5M-1982 APPLIES

FIRST ANGLE PROJECTION	
SCALE	1:1
DO NOT SCALE PRINT	
TOLERANCES	
UNLESS SPECIFIED OTHERWISE ALL DIMENSIONS ARE IN MILLIMETERS	
FRONT VIEW	±0.15
TOP VIEW	±0.15
RIGHT SIDE VIEW	±0.15
LEFT SIDE VIEW	±0.15
SECTION	±0.15
POSITION	±0.15
OTHER UNITS	mm
WEIGHT	1.5 kg / 3.3 lb



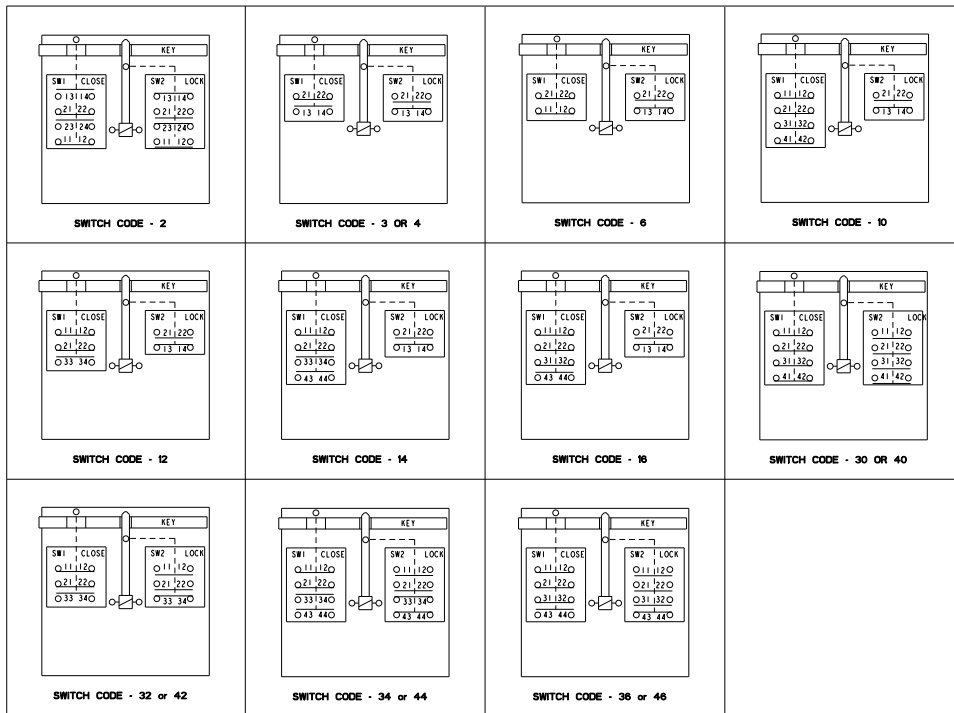
FRONT KEY ENTRY

BODY / INDICATOR CODES L OR F



TOP KEY ENTRY

THIS DRAWING COVERS A PROPRIETARY ITEM AND IS THE PROPERTY OF MICRO SWITCH, A DIVISION OF HONEYWELL. THIS DRAWING IS NOT TO BE COPIED OR USED WITHOUT THE APPROVAL OF MICRO SWITCH.																	
SEE MECHANICAL DRAWING FOR DIMENSIONS AND TOLERANCES	SEE MECHANICAL DRAWING FOR DIMENSIONS AND TOLERANCES																
MICRO SWITCH Honeywell Division	SWITCH - DOOR INTERLOCKING GK SERIES CHART 4																
ANSI Y14.5M-1982 APPLIES	<table border="1"> <tr> <td colspan="2">FIRST ANGLE PROJECTION</td> </tr> <tr> <td>SCALE</td> <td>1:1</td> </tr> <tr> <td colspan="2">DO NOT SCALE PRINT</td> </tr> <tr> <td colspan="2">TOLERANCES</td> </tr> <tr> <td>UNLESS SPECIFIED OTHERWISE</td> <td>SEE MECHANICAL DRAWING</td> </tr> <tr> <td>FINISH</td> <td>SEE MECHANICAL DRAWING</td> </tr> <tr> <td>UNIT</td> <td>MM</td> </tr> <tr> <td>WEIGHT</td> <td>1.5 kg / 3.3 lb</td> </tr> </table>	FIRST ANGLE PROJECTION		SCALE	1:1	DO NOT SCALE PRINT		TOLERANCES		UNLESS SPECIFIED OTHERWISE	SEE MECHANICAL DRAWING	FINISH	SEE MECHANICAL DRAWING	UNIT	MM	WEIGHT	1.5 kg / 3.3 lb
FIRST ANGLE PROJECTION																	
SCALE	1:1																
DO NOT SCALE PRINT																	
TOLERANCES																	
UNLESS SPECIFIED OTHERWISE	SEE MECHANICAL DRAWING																
FINISH	SEE MECHANICAL DRAWING																
UNIT	MM																
WEIGHT	1.5 kg / 3.3 lb																



BODY / INDICATOR CODES - F OR G
 TYPE / OVERRIDE CODES - S OR T
 DIAGRAMS SHOWN WITH KEY INSERTED AND LOCKED

THIS DRAWING COVERS A PROPRIETARY ITEM AND IS THE PROPERTY OF MICRO SWITCH, A DIVISION OF HONEYWELL. THIS DRAWING IS NOT TO BE COPIED OR USED WITHOUT THE APPROVAL OF MICRO SWITCH.
 THE MICRO SWITCH
MICRO SWITCH
 Honeywell Division

SWITCH - DOOR INTERLOCK

MK SERIES CHART 4

THIRD ANGLE PROJECTION	
SCALE	1:1
DO NOT SCALE PRINT	
TOLERANCES	
UNLESS SPECIFIED OTHERWISE REFER TO HONEYWELL DRAWING STANDARDS BY DATE	
FINISH	AS SHOWN
UNIT	INCHES
WEIGHT	1.586 / 3.318

ANSI Y14.5M-1982 APPLIES

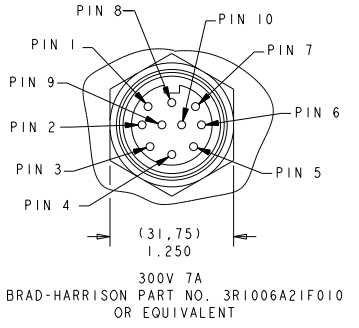
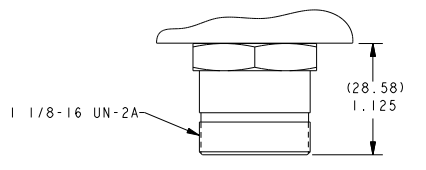
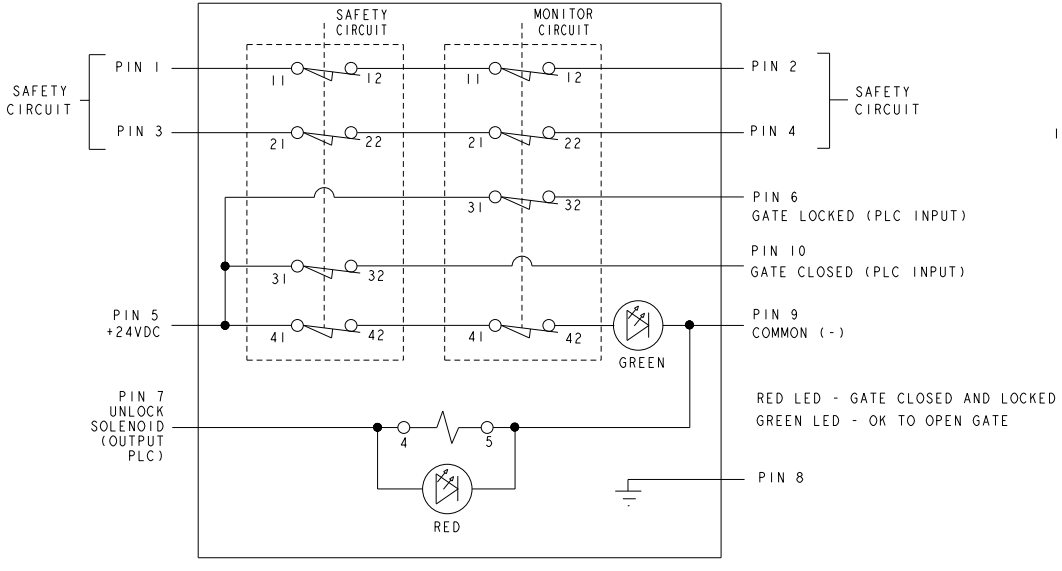
PTC/CAD 3D
 DRAWN
 LJK 9 DEC 99
 CHECK JAF 9 DEC 99
 CHECK PRS 04FEB09
 CHECK
 REVISIONS
 N 0047583
 SKK
 REFER 09
 ISSUE 52
 M
 PAGE 14 OF 16
 RELEASE NO. PR-24370
 REPLACES -
 CATALOG LISTING GK SERIES CHART 4

MICRO SWITCH
 a Honeywell Division
 FED. MFG. CODE 91929

CATALOG LISTING
SWITCH-DOOR INTERLOCK
GK SERIES CHART 4

THIS DRAWING COVERS A PROPRIETARY ITEM AND IS THE PROPERTY OF MICRO SWITCH, A DIVISION OF HONEYWELL. THIS DRAWING IS NOT TO BE COPIED OR USED WITHOUT THE APPROVAL OF MICRO SWITCH

MODIFICATION CODE: F05



SWITCH DIAGRAM STATE IS CLOSED AND LOCKED

THIRD ANGLE PROJECTION			
NTS			
SCALE NTS			
DO NOT SCALE PRINT			
TOLERANCES			
APPLY TO DESIGN UNITS. CONVERSIONS ARE ONLY FOR REFERENCE. UNLESS NOTED, TOLERANCES ARE:			
	FR.	TOL.	FR.
	CON.	APP.	CON.
NO PLACES	1	±.04	1.1
ONE PLACE	2.1	±.004	1.11
TWO PLACES	2.11	±.0005	1.111
THREE PLACES	2.111	±.00005	1.1111
ANGLES			
DESIGN UNITS	<input checked="" type="checkbox"/> SI METRIC	<input type="checkbox"/> US CUSTOMARY	
WEIGHT 2.3 kg / 5 LB MAX			

ANSI Y14.5M-1982 APPLIES

