

DUAL ENTRY SOLENOID KEY OPERATED SAFETY INTERLOCK NOMENCLATURE

GK

BODY / INDICATOR	CONDUIT / SEAL	BASIC II	HEAD	KEY	TYPE / OVER-RIDE	SOLENOID VOLTAGE
L HEAD TO LEFT - WITH INDICATORS	A 1/2 NPT - VITON SEALS	2 2 SNAP ACTION DPDT	L OPENING TO FRONT AND TOP	6 STRAIGHT	A SOLENOID UNLOCK WITH SCREWDRIVER	1 12 VDC
R HEAD TO RIGHT - WITH INDICATORS	B PG 13.5 - VITON SEALS	3 2 SLOW ACTING SPDT BBM	M OPENING TO RIGHT AND TOP	7 90 DEGREE	S SLOT OVER-RIDE	2 24 VDC
F HEAD TO LEFT - WITHOUT INDICATORS	C 20 MM - VITON SEALS	4 SLOW ACTING 2 NC	N OPENING TO BACK AND TOP	8 UP - DOWN, SPRING LOADED	B SOLENOID UNLOCK WITHOUT OVER-RIDE	3 48 VDC
G HEAD TO RIGHT - WITHOUT INDICATORS	D PF 1/2 - VITON SEALS	10 SLOW ACTING 4 NC	P OPENING TO LEFT AND TOP	9 SIDE - SIDE, SPRING LOADED	S SOLENOID LOCK WITH SCREWDRIVER	4 120 VAC
	E 1/2 NPT - BUNA-N SEALS	12 SLOW ACTING 2 NC - 1 NO BBM		X NO KEY	T SLOT OVER-RIDE	6 240 VAC
	F PG 13.5 - BUNA-N SEALS	14 SLOW ACTING 2 NC - 2 NO BBM - GOLD				
	G 20 MM - BUNA-N SEALS	15 SLOW ACTING 2 NC - 2 NO BBM - GOLD				
	H PF 1/2 - BUNA-N SEALS	16 SLOW ACTING 3 NC - 1 NO BBM				
		30 2 SLOW ACTING 4 NC - GOLD				
		32 2 SLOW ACTING 2 NC - 1 NO BBM - GOLD				
		34 2 SLOW ACTING 2 NC - 2 NO BBM - GOLD				
		36 2 SLOW ACTING 3 NC - 1 NO BBM - GOLD				
		40 2 SLOW ACTING 4 NC				
		42 2 SLOW ACTING 2 NC - 1 NO BBM				
		44 2 SLOW ACTING 2 NC - 2 NO BBM				
		46 2 SLOW ACTING 3 NC - 1 NO BBM				

NOTES

- 1 - ZINC DIECAST BODY AND HEAD WITH STEEL COVER. BODY, HEAD AND COVER FINISHED WITH EPOXY PAINT.
- 2 - PROVIDED WITH PLASTIC SNAP FIT COVER TO PLUG UNUSED KEY ENTRY WINDOW.
- 3 - THE LEFT INDICATOR IS GREEN AND THE RIGHT INDICATOR IS RED. NOT PRESENT ON BODY/INDICATOR CODES F OR G.
- 4 - MAXIMUM OPERATING FREQUENCY (Fmax) : 100 OPS/MIN
- 5 - INSERTION FORCE : 35 N
8 LB
EXTRACTION FORCE : 28 N
6 LB
MAXIMUM SOLENOID LOCKING FORCE : 1000 N
224 LB
- 6 - ROTATE 1/4 TURN CLOCKWISE TO UNLOCK DEVICES WITH HEAD TO LEFT, SOLENOID UNLOCK AND DEVICES WITH HEAD TO RIGHT, SOLENOID LOCK. ROTATE 1/4 TURN COUNTERCLOCKWISE TO UNLOCK DEVICES WITH HEAD TO LEFT, SOLENOID LOCK AND DEVICES WITH HEAD TO RIGHT, SOLENOID UNLOCK.
- 7 - NOT PRESENT ON TYPE/OVER-RIDE CODES B OR T.
- 8 - SWITCH MUST OPERATE BEFORE REACHING MINIMUM INSERTION DISTANCE.
- 9 - T-15 TAMPERPROOF TORX DRIVER BIT PROVIDED.
- 10 - ELECTRICAL RATINGS ARE FOR BASIC SWITCHES.
- 11 - MINIMUM SOLENOID VOLTAGE : 80% DC, 85% AC OF RATED VOLTAGE
MAXIMUM SOLENOID VOLTAGE : 110% OF RATED VOLTAGE
- 12 - SOLENOID POWER : 12 WATTS NOMINAL
- 13 - SEE PAGES 10, 11, 12 AND 13 FOR CIRCUIT DIAGRAMS
- 14 - NO CHANGES CAN BE MADE TO THIS DRAWING WITHOUT JOINT FREIGHT / WAREHOUSE APPROVAL.
- 15 - THE LEFT INDICATOR IS YELLOW AND THE RIGHT INDICATOR IS RED
- 16 - 10-PIN CONNECTOR, BRAD HARRISON PART NO.3R1006AZ1F010 OR EQUIVALENT OR EQUIVALENT
- 17 - 4-PIN CONNECTOR, WOODHEAD PART NO.80599-19 OR MOLEX PART NO.08631M2 OR EQUIVALENT
- 18 - 5-PIN CONNECTOR, BRAD HARRISON PART NO.41310 OR EQUIVALENT
- 19 - CONNECTOR INSTALLED IN BOTTOM CONDUIT HOLE
- 20 - CONNECTOR INSTALLED IN SIDE CONDUIT HOLE
- 21 - "S" MARK APPROVAL APPLICABLE ONLY FOR GKLE4XXXX, GKLE46XXXX, GKRE46XXXX AND GKRE48XXXX SERIES ONLY

ELECTRICAL RATING				ENVIRONMENTAL RATINGS		APPROVALS
AC	DC			IP48 NEMA 1, 4, 6P, 12 & 13		
A300	AC 15	Q300	DC 13	TEMP RANGE	-25°C TO 40°C	
Ue	Ie	Ue	Ie	STORAGE	-13°F TO 104°F	
(VOLTS)	(AMPS)	(VOLTS)	(AMPS)		-40°C TO 120°C	
120	6	24	2.9		-40°F TO 248°F	
240	3	125	.55	SHOCK: 50G PER IEC 68-2-27		
		250	.27	VIBRATION: 10G PER IEC 68-2-6		
11b - 10 A						

THIRD ANGLE PROJECTION

SCALE: 1:1

DO NOT SCALE PRINT

TOLERANCES UNLESS OTHERWISE SPECIFIED

UNLESS OTHERWISE SPECIFIED

THIS DRAWING IS THE PROPERTY OF MICRO SWITCH, A DIVISION OF HONEYWELL. THIS DRAWING IS NOT TO BE COPIED OR USED WITHOUT THE APPROVAL OF MICRO SWITCH.

THIS DRAWING IS NOT TO BE COPIED OR USED WITHOUT THE APPROVAL OF MICRO SWITCH.

DATE: 08/11/03

DESIGNER: J. J. J.

ENGINEER: J. J. J.

CHECKED: J. J. J.

APPROVED: J. J. J.

WEIGHT: 1.5 kg / 3.3 lb

THIS DRAWING COVERS A PROPRIETARY ITEM AND IS THE PROPERTY OF MICRO SWITCH, A DIVISION OF HONEYWELL. THIS DRAWING IS NOT TO BE COPIED OR USED WITHOUT THE APPROVAL OF MICRO SWITCH.

THIS DRAWING IS NOT TO BE COPIED OR USED WITHOUT THE APPROVAL OF MICRO SWITCH.

DATE: 08/11/03

DESIGNER: J. J. J.

ENGINEER: J. J. J.

CHECKED: J. J. J.

APPROVED: J. J. J.

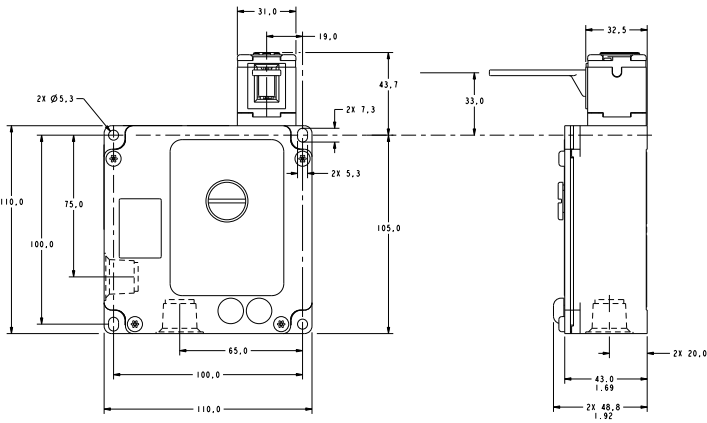
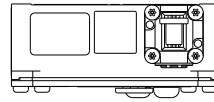
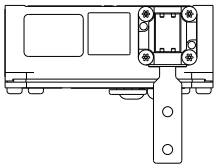
WEIGHT: 1.5 kg / 3.3 lb

ANSI Y14.5M-1982 APPLICABLE

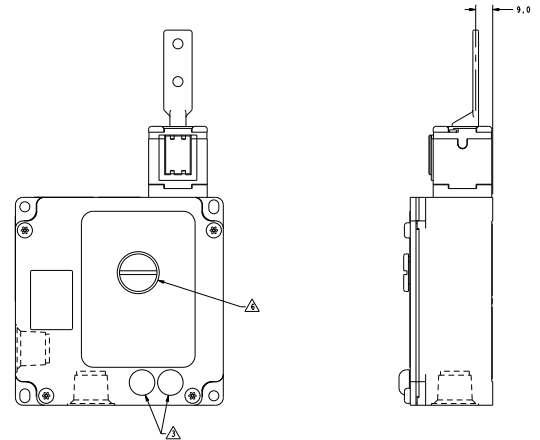
MICRO SWITCH
Honeywell Division

SWITCH - DOOR INTERLOCK

GK SERIES CHART 4



FRONT KEY ENTRY



TOP KEY ENTRY

BODY / INDICATOR CODES R OR G

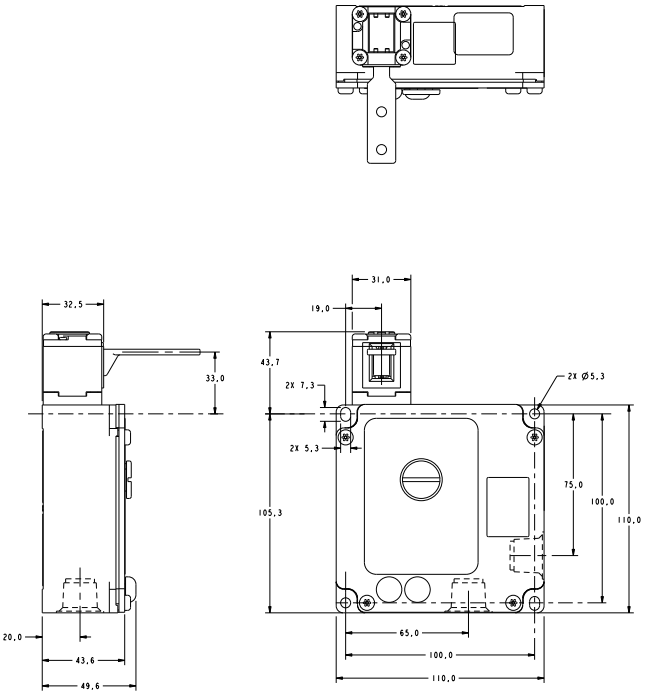
THIS DRAWING COVERS A PROPRIETARY ITEM AND IS THE PROPERTY OF MICRO SWITCH, A DIVISION OF HONEYWELL. THIS DRAWING IS NOT TO BE COPIED OR USED WITHOUT THE APPROVAL OF MICRO SWITCH.
 THE MICRO SWITCH COMPANY
 MICRO SWITCH
 Honeywell Division

SWITCH - DOOR INTERLOCK

GK SERIES CHART 4

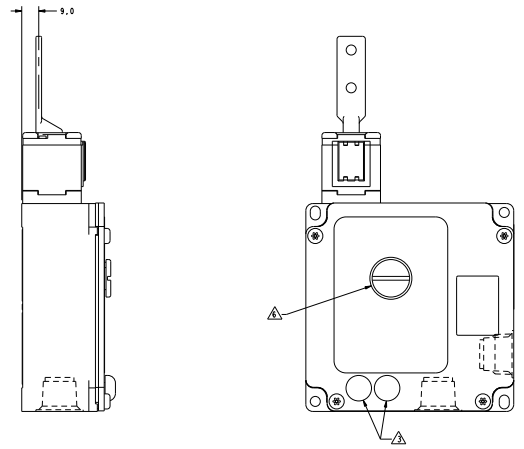
ANSI Y14.5M-1982 APPLIES

FIRST ANGLE PROJECTION	
SCALE	1:1
DO NOT SCALE PRINT	
TOLERANCES	
UNLESS SPECIFIED OTHERWISE ALL DIMENSIONS ARE IN MILLIMETERS (INCHES)	
FINISH	AS MANUFACTURED
UNIT	MILLIMETERS
WEIGHT	1.5 kg / 3.3 lb



FRONT KEY ENTRY

BODY / INDICATOR CODES L OR F



TOP KEY ENTRY

THIS DRAWING COVERS A PROPRIETARY ITEM AND IS THE PROPERTY OF MICRO SWITCH, A DIVISION OF HONEYWELL. THIS DRAWING IS NOT TO BE COPIED OR USED WITHOUT THE APPROVAL OF MICRO SWITCH.

THIS DRAWING IS THE PROPERTY OF MICRO SWITCH. NO PARTS OR INFORMATION CONTAINED HEREIN ARE TO BE REPRODUCED OR TRANSMITTED IN ANY FORM OR BY ANY MEANS, ELECTRONIC OR MECHANICAL, INCLUDING PHOTOCOPYING, RECORDING, OR BY ANY INFORMATION STORAGE AND RETRIEVAL SYSTEM.

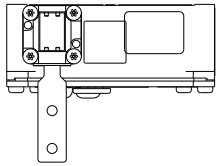
MICRO SWITCH
Honeywell Division

SWITCH - DOOR INTERLOCKING GK SERIES CHART 4

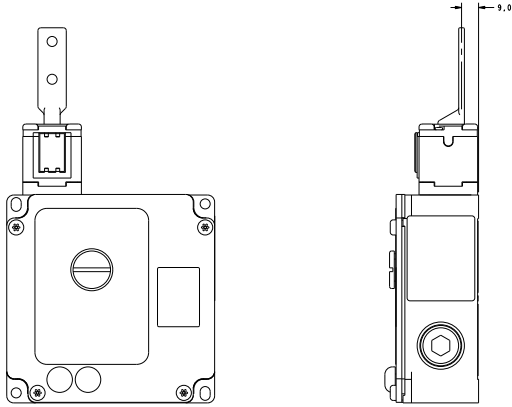
DATE	BY	CHKD	APP'D

SCALE: 1:1
DO NOT SCALE PRINT
TOLERANCES: UNLESS OTHERWISE SPECIFIED
DIMENSIONS ARE IN MILLIMETERS
UNLESS OTHERWISE SPECIFIED
MATERIAL: ALUMINUM 6061-T6
FINISH: ANODIZED
WEIGHT: 1.5 kg / 3.3 lb

ANSI Y14.5M-1982 APPLIES

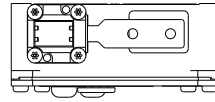


WITH KEY IN FRONT ENTRY POSITION

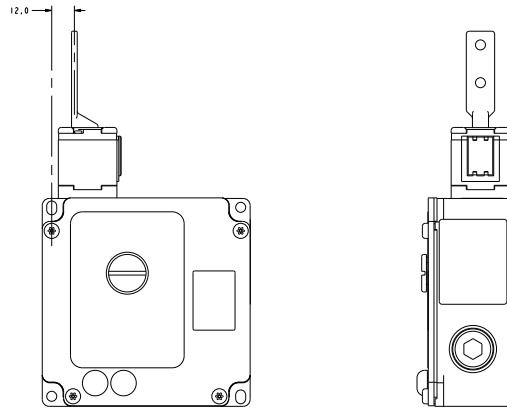


WITH KEY IN TOP ENTRY POSITION

HEAD CODE L



WITH KEY IN FRONT ENTRY POSITION



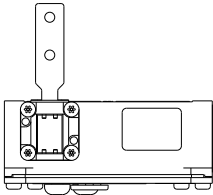
WITH KEY IN TOP ENTRY POSITION

HEAD CODE M

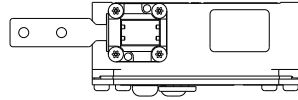
PTC/CAD 15
 MKS SERIES CHART 4
 1/8" 1/16" 1/32" 1/64" 1/32" 1/16" 1/8" 1/4" 3/8" 1/2" 5/8" 3/4" 7/8" 1" 1 1/8" 1 1/4" 1 1/2" 1 3/4" 2" 2 1/4" 2 1/2" 2 3/4" 3" 3 1/4" 3 1/2" 3 3/4" 4" 4 1/4" 4 1/2" 4 3/4" 5" 5 1/4" 5 1/2" 5 3/4" 6" 6 1/4" 6 1/2" 6 3/4" 7" 7 1/4" 7 1/2" 7 3/4" 8" 8 1/4" 8 1/2" 8 3/4" 9" 9 1/4" 9 1/2" 9 3/4" 10"

THIS DRAWING COVERS A PROPRIETARY ITEM AND IS THE PROPERTY OF MICRO SWITCH, A DIVISION OF HONEYWELL. THIS DRAWING IS NOT TO BE COPIED OR USED WITHOUT THE APPROVAL OF MICRO SWITCH. TYPED AND CHECKED BY: _____ MICRO SWITCH Honeywell Division		SWITCH - DOOR INTERLOCK GK SERIES CHART 4	THIRD ANGLE PROJECTION SCALE 1:1 DO NOT SCALE PRINT TOLERANCES UNLESS SPECIFIED OTHERWISE DIMENSIONS ARE IN INCHES DECIMALS FRACTIONS DECIMALS FRACTIONS DECIMALS FRACTIONS WEIGHT 1.5 kg / 3.3 lb
--	--	--	--

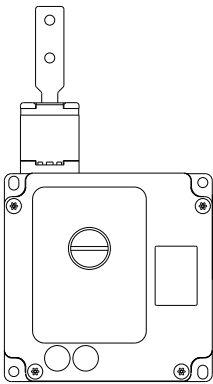
ANSI Y14.5M-1982 APPLIES



WITH KEY IN FRONT ENTRY POSITION

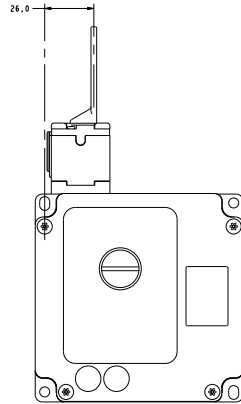


WITH KEY IN FRONT ENTRY POSITION



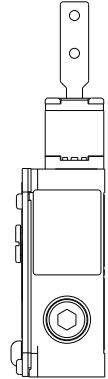
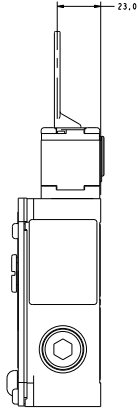
WITH KEY IN TOP ENTRY POSITION

HEAD CODE N



WITH KEY IN TOP ENTRY POSITION

HEAD CODE P



PTC/CAD 15
 FILE: 12522132.DWG
 SHEET: 1 OF 1
 DATE: 10/11/11
 TIME: 15:10:39
 USER: PLS
 PROJECT: 12522132

THIS DRAWING COVERS A PROPRIETARY ITEM AND IS THE PROPERTY OF MICRO SWITCH, A DIVISION OF
 HONEYWELL. THIS DRAWING IS NOT TO BE COPIED OR USED WITHOUT THE APPROVAL OF MICRO SWITCH.
 SEE THE CASE FILE FOR CONTAK TESTING INFORMATION.
MICRO SWITCH
 Honeywell Division

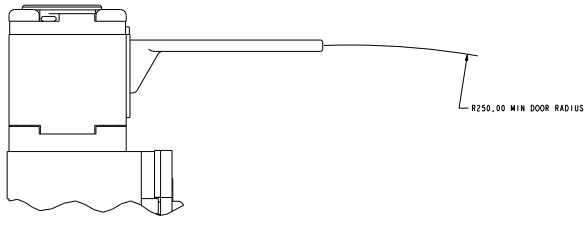
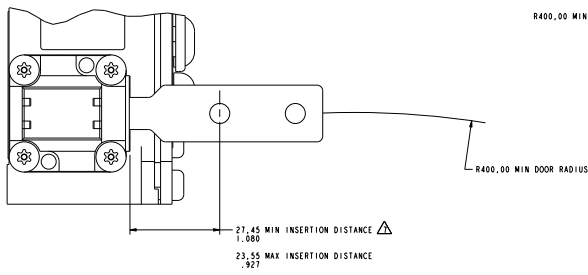
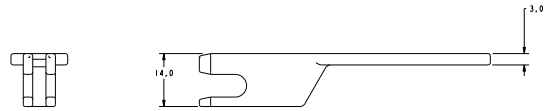
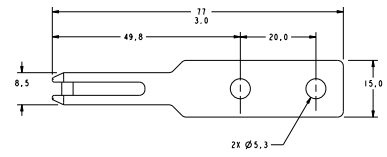
SWITCH - DOOR INTERLOCK

GK SERIES CHART 4

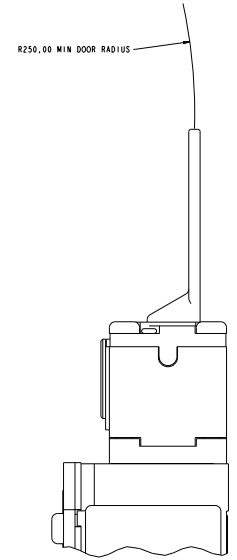
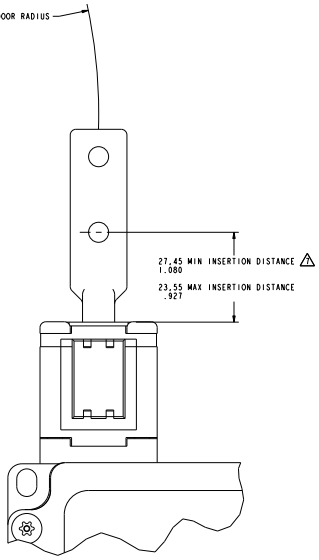
ANSI Y14.5M-1982 APPLIES

THIRD ANGLE PROJECTION	
SCALE 1:1	
DO NOT SCALE PRINT	
TOLERANCES	
UNLESS SHOWN OTHERWISE DIMS ARE	UNLESS SHOWN OTHERWISE DIMS ARE
FRACTIONS	DECIMALS
AS SHOWN	AS SHOWN
UNLESS SHOWN OTHERWISE DIMS ARE	UNLESS SHOWN OTHERWISE DIMS ARE
FRACTIONS	DECIMALS
AS SHOWN	AS SHOWN
UNLESS SHOWN OTHERWISE DIMS ARE	UNLESS SHOWN OTHERWISE DIMS ARE
FRACTIONS	DECIMALS
AS SHOWN	AS SHOWN
WEIGHT 1.5 KG / 3.3 LB	

KEY CODE 6



FRONT KEY ENTRY



TOP KEY ENTRY

THIS DRAWING COVERS A PROPRIETARY ITEM AND IS THE PROPERTY OF MICRO SWITCH, A DIVISION OF HONEYWELL. THIS DRAWING IS NOT TO BE COPIED OR USED WITHOUT THE APPROVAL OF MICRO SWITCH.

THIS DRAWING IS NOT TO BE COPIED OR USED WITHOUT THE APPROVAL OF MICRO SWITCH.

ANSI Y14.5M-1982 APPLIES

MICRO SWITCH
Honeywell Division

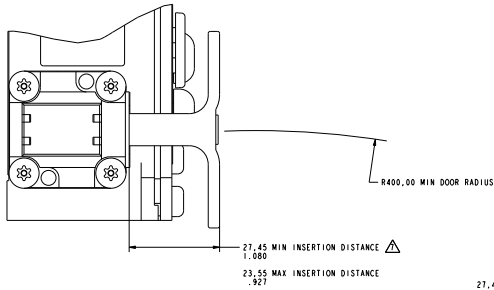
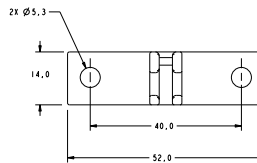
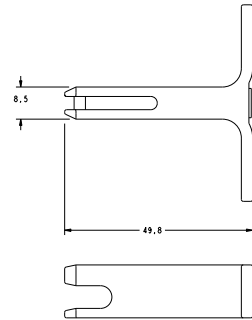
SWITCH - DOOR INTERLOCK

GK SERIES CHART 4

FIRST ANGLE PROJECTION	
SCALE	DO NOT SCALE PRINT
TOLERANCES	
UNLESS SPECIFIED OTHERWISE	UNLESS SPECIFIED OTHERWISE
FINISH	FINISH
UNIT	UNIT
WEIGHT	WEIGHT

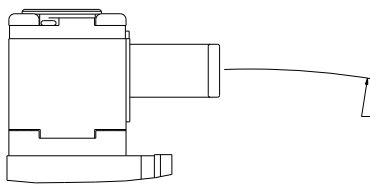
WEIGHT 1.5 KG / 3.3 LB

KEY CODE 7



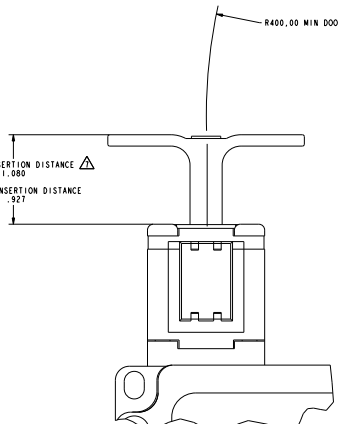
27.45 MIN INSERTION DISTANCE
1.000
23.55 MAX INSERTION DISTANCE
.927

R400.00 MIN DOOR RADIUS



R250.00 MIN DOOR RADIUS

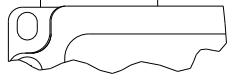
FRONT KEY ENTRY



27.45 MIN INSERTION DISTANCE
1.000
23.55 MAX INSERTION DISTANCE
.927

R400.00 MIN DOOR RADIUS

R250.00 MIN DOOR RADIUS

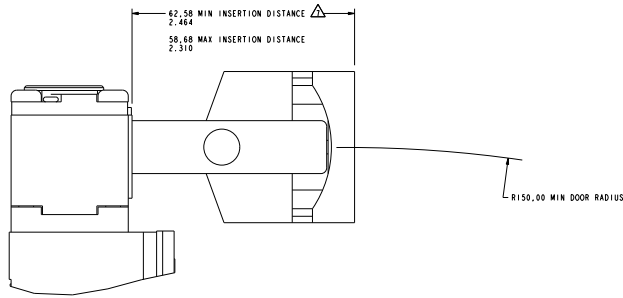
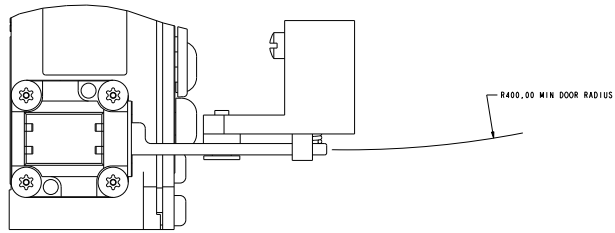
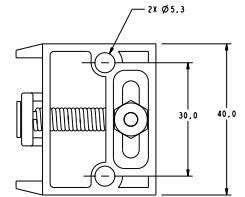
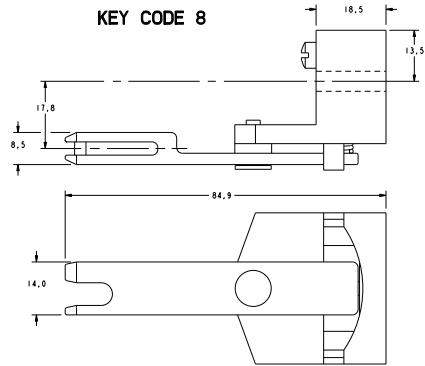


TOP KEY ENTRY

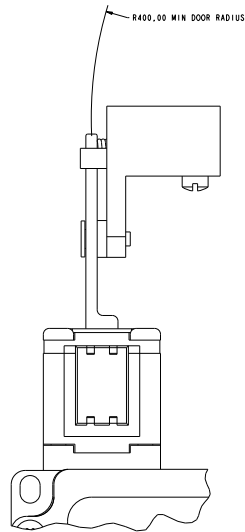
THIS DRAWING COVERS A PROPRIETARY ITEM AND IS THE PROPERTY OF MICRO SWITCH, A DIVISION OF HONEYWELL. THIS DRAWING IS NOT TO BE COPIED OR USED WITHOUT THE APPROVAL OF MICRO SWITCH.		THIS DRAWING IS NOT TO BE COPIED OR USED WITHOUT THE APPROVAL OF MICRO SWITCH.
TYPICAL DIMENSIONS		KEY CODE 7
MICRO SWITCH Honeywell Division	SWITCH - DOOR INTERLOCK	MK SERIES CHART 4
ANSI Y14.5M-1982 APPLIES		

P15/CAD 15
DRAWN BY: L. L. BARKER
CHECKED BY: J. J. BARKER
DATE: 12/11/93
REV. 1
1
2
3
4
5
6
7
8
9
10
11
12
13
14
15
16
17
18
19
20
21
22
23
24
25
26
27
28
29
30
31
32
33
34
35
36
37
38
39
40
41
42
43
44
45
46
47
48
49
50

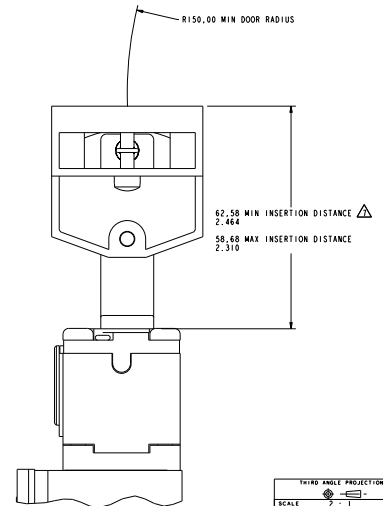
KEY CODE 8



FRONT KEY ENTRY

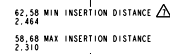
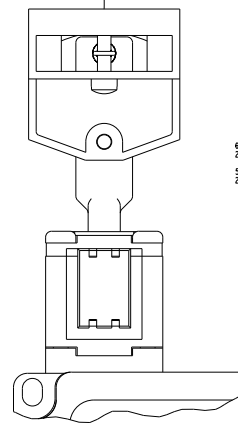
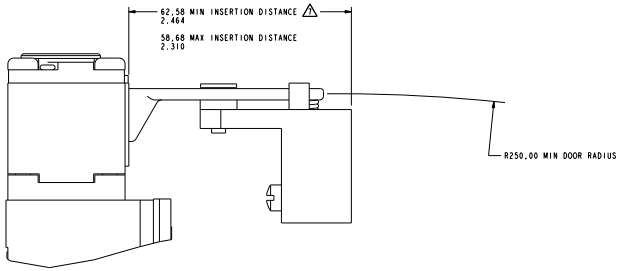
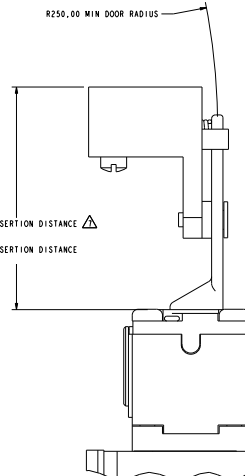
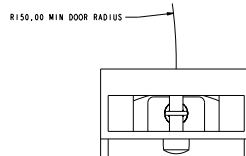
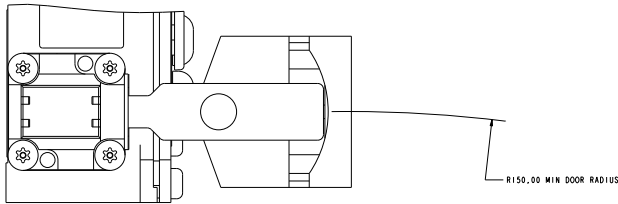
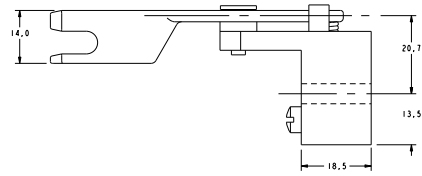
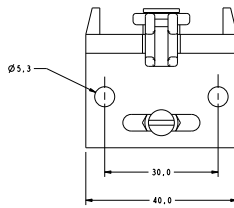
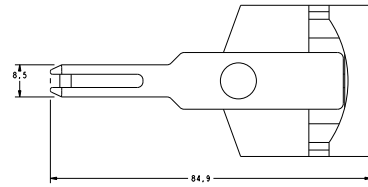


TOP KEY ENTRY



<p>THIS DRAWING COVERS A PROPRIETARY ITEM AND IS THE PROPERTY OF MICRO SWITCH, A DIVISION OF HONEYWELL. THIS DRAWING IS NOT TO BE COPIED OR USED WITHOUT THE APPROVAL OF MICRO SWITCH.</p> <p>SEE THE CASE FILE FOR CAD FILE TESTING</p>		<p>ANSI Y14.5M-1982 APPLIES</p>
<p>MICRO SWITCH Honeywell Division</p>	<p>SWITCH - DOOR INTERLOCK</p>	<p>MK SERIES CHART 4</p>
<p>UNITED ANGLE PROJECTION</p> <p>SCALE: 1:1</p> <p>DO NOT SCALE PRINT</p> <p>TOLERANCES:</p> <p>UNLESS SHOWN OTHERWISE</p> <p>FINISHES:</p> <p>UNLESS SHOWN OTHERWISE</p> <p>WELDING:</p> <p>UNLESS SHOWN OTHERWISE</p> <p>WEIGHT: 1.50G / 3.31LB</p>		<p>DATE: 11/11/03</p> <p>BY: [Signature]</p> <p>CHKD: [Signature]</p> <p>APP: [Signature]</p>

KEY CODE 9



TOP KEY ENTRY

FRONT KEY ENTRY

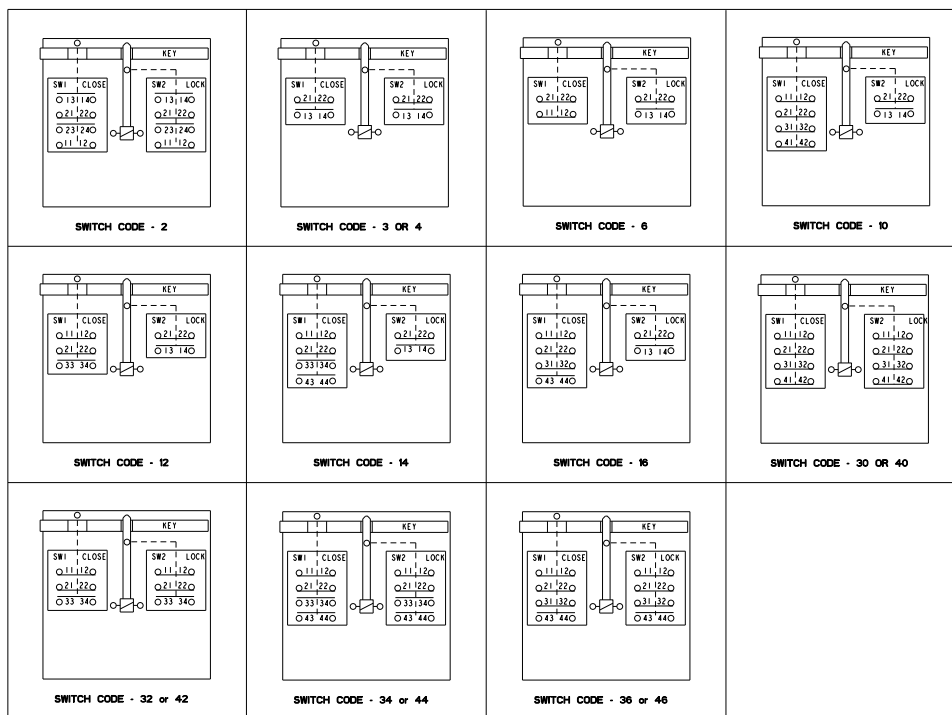
THIS DRAWING COVERS A PROPRIETARY ITEM AND IS THE PROPERTY OF MICRO SWITCH, A DIVISION OF HONEYWELL. THIS DRAWING IS NOT TO BE COPIED OR USED WITHOUT THE APPROVAL OF MICRO SWITCH.
 THE MICRO SWITCH COMPANY
 MICRO SWITCH
 Honeywell Division

SWITCH - DOOR INTERLOCK

GK SERIES CHART 4

ANSI Y14.5M-1982 APPLIES

FIRST ANGLE PROJECTION	
SCALE	1:1
DO NOT SCALE PRINT	
TOLERANCES	
UNLESS SPECIFIED OTHERWISE	
FINISH	AS MANUFACTURED
UNIT	MILLIMETERS
DECIMALS	0.1
FRACTIONS	1/32
ANGLE	10'
WEIGHT	1.5867 3.318



BODY / INDICATOR CODES - F OR G
 TYPE / OVER-RIDE CODES - A OR B
 DIAGRAMS SHOWN WITH KEY INSERTED AND LOCKED

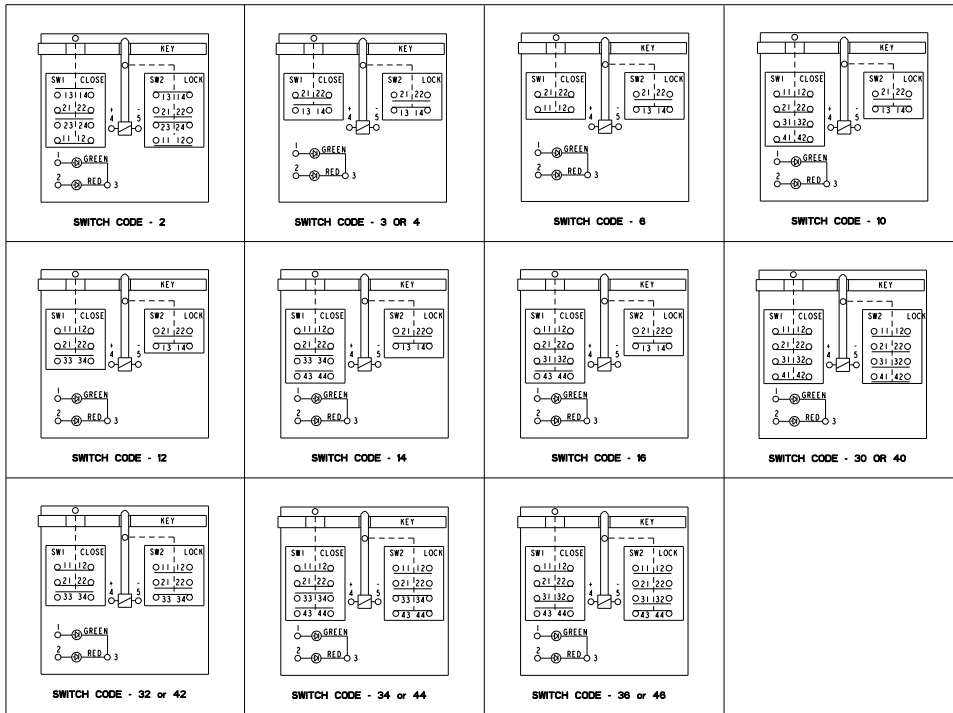
THIS DRAWING COVERS A PROPRIETARY ITEM AND IS THE PROPERTY OF MICRO SWITCH, A DIVISION OF HONEYWELL. THIS DRAWING IS NOT TO BE COPIED OR USED WITHOUT THE APPROVAL OF MICRO SWITCH.
 THE MICRO SWITCH COMPANY
 1450 WEST 100TH AVENUE
 MINNEAPOLIS, MINN. 55440
 U.S.A.
 MICRO SWITCH
 Honeywell Division

SWITCH - DOOR INTERLOCK

GK SERIES CHART 4

THIRD ANGLE PROJECTION	1:1
SCALE	1:1
DO NOT SCALE PRINT	
TOLERANCES	
UNLESS SPECIFIED OTHERWISE	
FINISHES	
UNLESS SPECIFIED OTHERWISE	
WELDER UNITS	
WEIGHT 1.586 / 3.318	

ANSI Y14.5M-1982 APPLIES



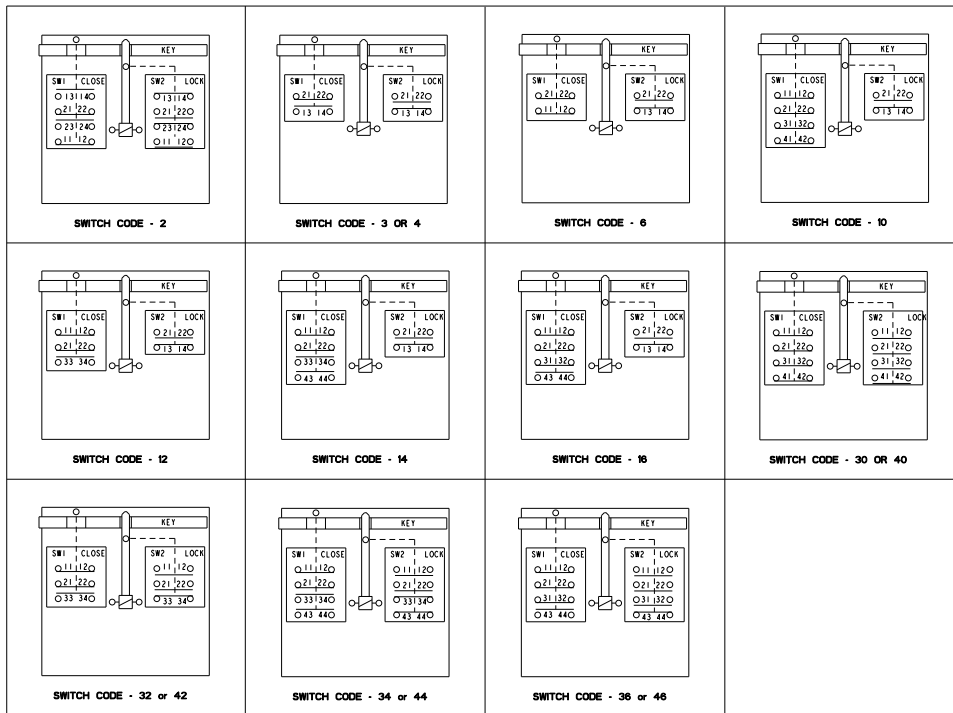
BODY / INDICATOR CODES - L OR R
 TYPE / OVER-RIDE CODES - S OR T
 DIAGRAMS SHOWN WITH KEY INSERTED AND LOCKED

THIS DRAWING COVERS A PROPRIETARY ITEM AND IS THE PROPERTY OF MICRO SWITCH, A DIVISION OF HONEYWELL. THIS DRAWING IS NOT TO BE COPIED OR USED WITHOUT THE APPROVAL OF MICRO SWITCH.
 FOR USE ONLY WITH MICRO SWITCH.
MICRO SWITCH
 Honeywell Division
SWITCH - DOOR INTERLOCK

MK SERIES CHART 4

THIRD ANGLE PROJECTION	
SCALE	1:1
DO NOT SCALE PRINT	
TOLERANCES	
HOLE TO HOLE DIA. HOLE TO DIA. OF PIN	
HOLE DIA. TO HOLE DIA. OF PIN	
DIMENSIONS UNLESS OTHERWISE NOTED BY:	
FRONT	FRACTIONAL
DEPTH	FRACTIONAL
OTHER	FRACTIONAL
DECIMALS	
UNLESS OTHERWISE NOTED BY:	
UNIT	MM
WEIGHT 1.5 KG / 3.3 LB	

ANSI Y14.3M-1982 APPLIES



BODY / INDICATOR CODES - F OR G
 TYPE / OVERRIDE CODES - S OR T
 DIAGRAMS SHOWN WITH KEY INSERTED AND LOCKED

THIS DRAWING COVERS A PROPRIETARY ITEM AND IS THE PROPERTY OF MICRO SWITCH, A DIVISION OF HONEYWELL. THIS DRAWING IS NOT TO BE COPIED OR USED WITHOUT THE APPROVAL OF MICRO SWITCH.
 THE MICRO SWITCH
MICRO SWITCH
 Honeywell Division

SWITCH - DOOR INTERLOCK

MK SERIES CHART 4

THIRD ANGLE PROJECTION	1:5
SCALE	1:5
DO NOT SCALE PRINT	
TOLERANCES	
UNLESS SPECIFIED OTHERWISE	
FINISHES	
UNLESS SPECIFIED OTHERWISE	
UNIT	INCHES
WEIGHT	1.5867 / 3.318

ANSI Y14.5M-1982 APPLIES

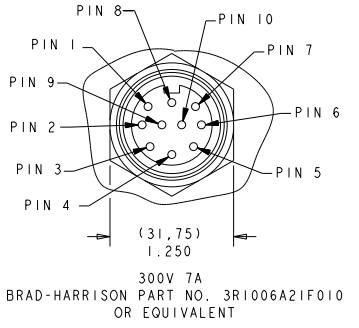
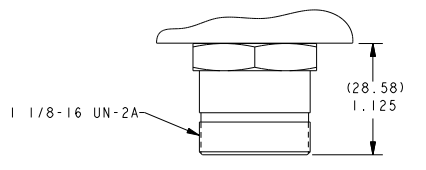
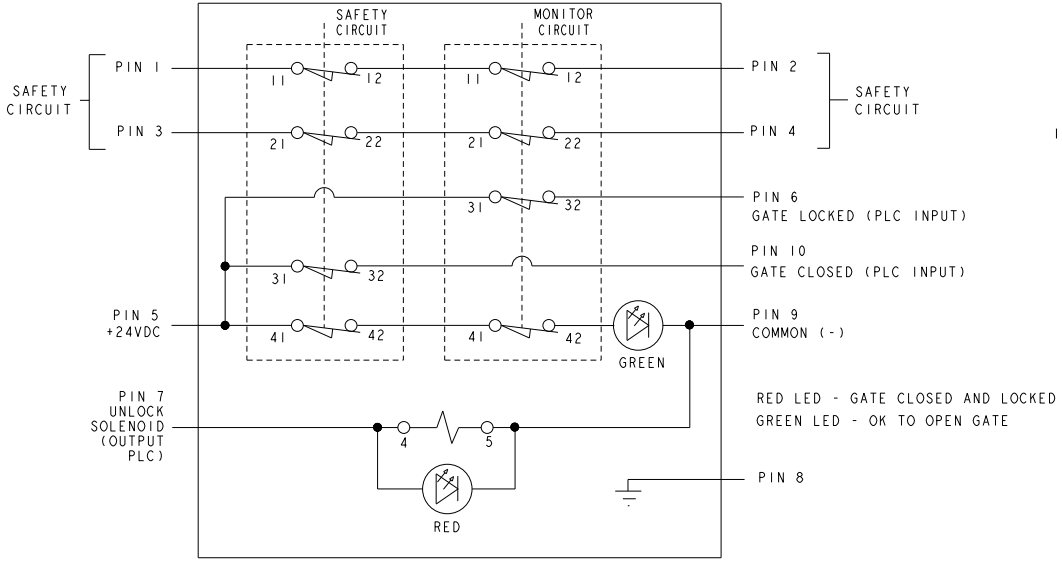
PTC/CAD 3D
 DRAWN
 LJK 9 DEC 99
 CHECK JAF 9 DEC 99
 PRS 04FEB09
 CHECK
 REVISIONS
 N 0047583
 SKK
 REFERED
 52
 ISSUE
 M
 CATALOG LISTING
 GK SERIES CHART 4
 PAGE 14 OF 16
 RELEASE NO. PR-24370
 REPLACES -

MICRO SWITCH
 a Honeywell Division
 FED. MFG. CODE 91929

CATALOG LISTING
SWITCH-DOOR INTERLOCK
GK SERIES CHART 4

THIS DRAWING COVERS A PROPRIETARY ITEM AND IS THE PROPERTY OF MICRO SWITCH, A DIVISION OF HONEYWELL. THIS DRAWING IS NOT TO BE COPIED OR USED WITHOUT THE APPROVAL OF MICRO SWITCH

MODIFICATION CODE: F05



THIRD ANGLE PROJECTION			
NTS			
SCALE			
DO NOT SCALE PRINT			
TOLERANCES			
APPLY TO DESIGN UNITS. CONVERSIONS ARE ONLY FOR REFERENCE. UNLESS NOTED, TOLERANCES ARE:			
	FR.	TOL.	FR.
	CON.	APP.	CON.
NO PLACES	1	±.04	1.1
ONE PLACE	2.1	±.004	1.11
TWO PLACES	0.157	±.000	1.111
THREE PLACES			1.1111
ANGLES			
DESIGN UNITS	<input checked="" type="checkbox"/> SI METRIC	<input type="checkbox"/> US CUSTOMARY	
WEIGHT 2.3 kg / 5 LB MAX			

ANSI Y14.5M-1982 APPLIES

CATALOG LISTING
GK SERIES CHART 4

ISSUE **M** 52
 REVISIONS
 N 0041583
 SK 04FEB09
 PTC/CAD 3D
 DRAWN
 RS 17DEC04
 CHECK AK
 PRS 04FEB09
 CHECK PRS
 ITDEC04
 CHECK AK

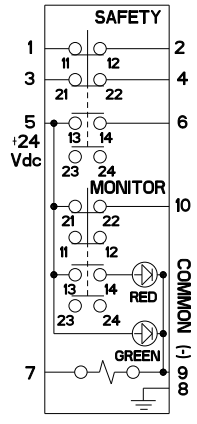
MICRO SWITCH
 a Honeywell Division
 FED. MFG. CODE 91929

SWITCH-DOOR INTERLOCK

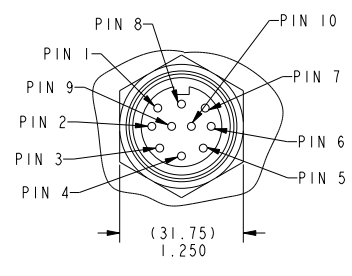
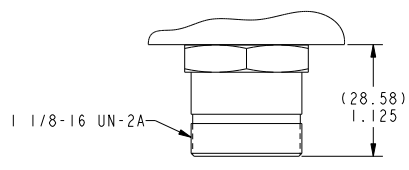
CATALOG LISTING
GK SERIES CHART 4

THIS DRAWING COVERS A PROPRIETARY ITEM AND IS THE PROPERTY OF MICRO SWITCH, A DIVISION OF HONEYWELL. THIS DRAWING IS NOT TO BE COPIED OR USED WITHOUT THE APPROVAL OF MICRO SWITCH

MODIFICATION CODE: F04



SWITCH DIAGRAM STATE IS CLOSED AND LOCKED



300V 7A
 BRAD-HARRISON PART NO. 3R1006A21F010
 OR EQUIVALENT

THIRD ANGLE PROJECTION			
SCALE		NTS	
DO NOT SCALE PRINT			
TOLERANCES			
APPLY TO DESIGN UNITS. CONVERSIONS ARE ONLY FOR REFERENCE, UNLESS NOTED. TOLERANCES ARE:			
	DIM.	TOL.	DIM.
	mm	mm/10	mm/10
NO PLACES	±	0.25	± 0.010
ONE PLACE	±	0.075	± 0.003
TWO PLACES	±	0.025	± 0.001
THREE PLACES	±	0.0075	± 0.0005
ANGLES			
DESIGN UNITS		<input checked="" type="checkbox"/> SI METRIC	<input type="checkbox"/> US CUSTOMARY
WEIGHT 2.3 kg / 5 LB MAX			

ANSI Y14.5M-1982 APPLIES