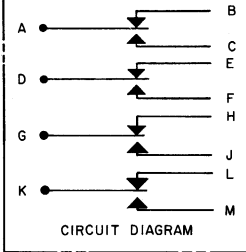
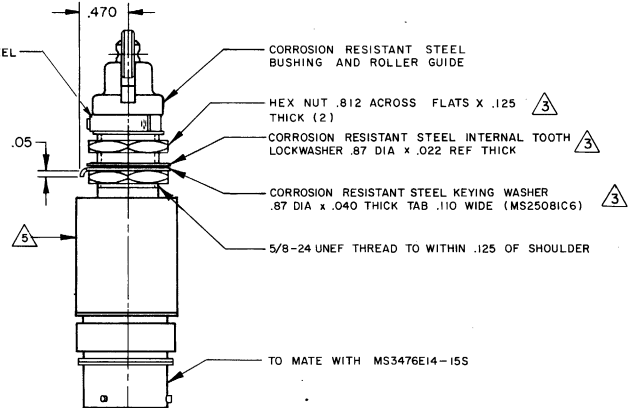
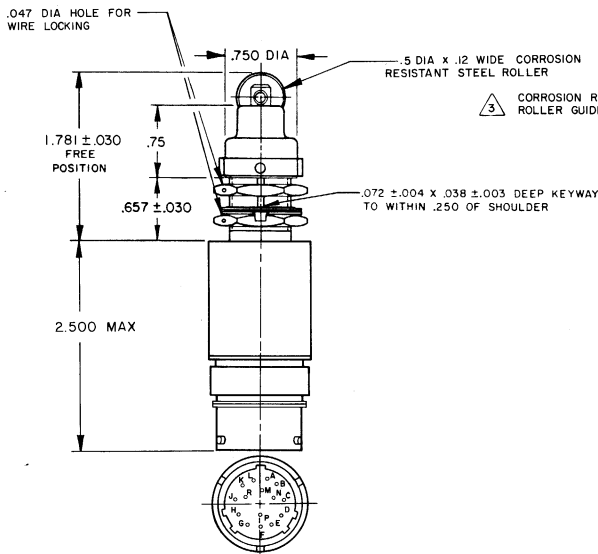
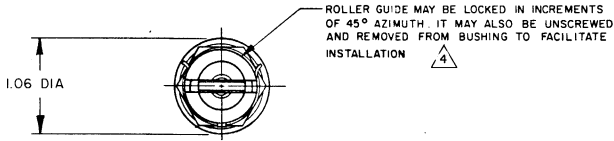


**MICRO SWITCH**  
 FREEPORT ILLINOIS U.S.A.  
 A DIVISION OF HONEYWELL  
 FED. MFG CODE 81939

**SWITCH - ENCLOSED**

CATALOG LISTING  
**424HE23-RB**

THIS DRAWING COVERS A PROPRIETARY ITEM AND IS THE PROPERTY OF MICRO SWITCH A DIVISION OF HONEYWELL. THIS DRAWING IS NOT TO BE COPIED OR USED WITHOUT THE APPROVAL OF MICRO SWITCH.



**M 424HE23-RB**  
 DRAWING NUMBER  
 ISSUE  
 REVISIONS  
 A PR-437-1  
 24 JUN 74  
 B 3-407  
 24 JUL 74  
 C 0035243  
 5 B W  
 18 MAY 75  
 D 0035834  
 K P  
 22 JUL 78  
 E 0036019  
 29 OCT 78  
 F 0044351  
 28 NOV 78  
 G 0047573  
 TSM  
 16 JULY 80  
 H 0048605  
 K S  
 18 MAR 81  
 J 0068422  
 6 SEP 80  
 DRAWN  
 J A L 24 JUNE 74  
 CHECKED  
 J A L 24 JUNE 74  
 APPROVED  
 J A L 24 JUNE 74  
 REPLACES  
 RELEASE NO. PR-4137-T

- NOTES**
- 1 - CORROSION RESISTANT STEEL ENCLOSURE
  - 2 - SWITCH SEALED PER MIL-S-8805 SYMBOL 5
  - 3 - HARDWARE MAY BE PACKAGED UNASSEMBLED PER MIL-S-8805 TO ADJUST ROLLER DIRECTION, REMOVE ROLLER GUIDE LOCKRING, SCREW ROLLER GUIDE DOWN AS FAR AS POSSIBLE, THEN UNSCREW TO DESIRED DIRECTION. SECURE BY REPLACING ROLLER GUIDE LOCKRING
  - 4 - CIRCUIT DIAGRAM AND CATALOG LISTING ARE SHOWN ON NAMEPLATE
  - 5 - COINCIDENCE OF OPERATING AND RELEASING POINTS: .010 INCH OF PLUNGER TRAVEL

CHARACTERISTICS	ELECTRICAL DATA		SCALE FULL
OPERATING FORCE ----- 6-12 LB	CONTACT ARRANGEMENT S P D T (4)		DO NOT SCALE PRINT
FULL OVERTRAVEL FORCE ----- 30 LB MAX	LOAD		UNLESS OTHERWISE NOTED
RELEASE FORCE ----- 4 LB MIN	28 VDC		DIMENSIONS ARE IN INCHES
PRETRAVEL FORCE ----- .040 MAX	RES	SEA LEVEL 100,000 FT.	<b>TOLERANCES ARE:</b>
DIFFERENTIAL TRAVEL ----- .020 MAX	IND	3	ONE PLACE .01
OVERTRAVEL ----- 250 MIN		1.5	TWO PLACE .001
			THREE PLACE .0005
			ANGLES
			WEIGHT