



## Features

- High grade, long life
- Single and dual gang
- Assortment of resistance tapers
- Tracking error within  $\pm 3$  dB
- 45, 60 and 100 mm sizes
- Wide operating temperature range
- T-bar lever option



## PTS Series High Grade Slide Potentiometer

### Electrical Characteristics

Standard Resistance Range  
 ..... 1K ohms to 1 megohm  
 Standard Resistance Tolerance...  $\pm 20$  %  
 End Resistance ..... 1 ohm max.  
 Insulation Resistance @ 500 VDC  
 ..... 100 megohms min.  
 Dielectric Withstanding Voltage  
 ..... 1000 VAC  
 Tracking Error .....  $\pm 3$  dB  
 Standard Taper ..... Linear, Audio  
 Power Rating  
 Linear ..... 0.5 watt  
 Audio ..... 0.25 watt  
 Slider Noise ..... 60 mV max.

### Environmental Characteristics

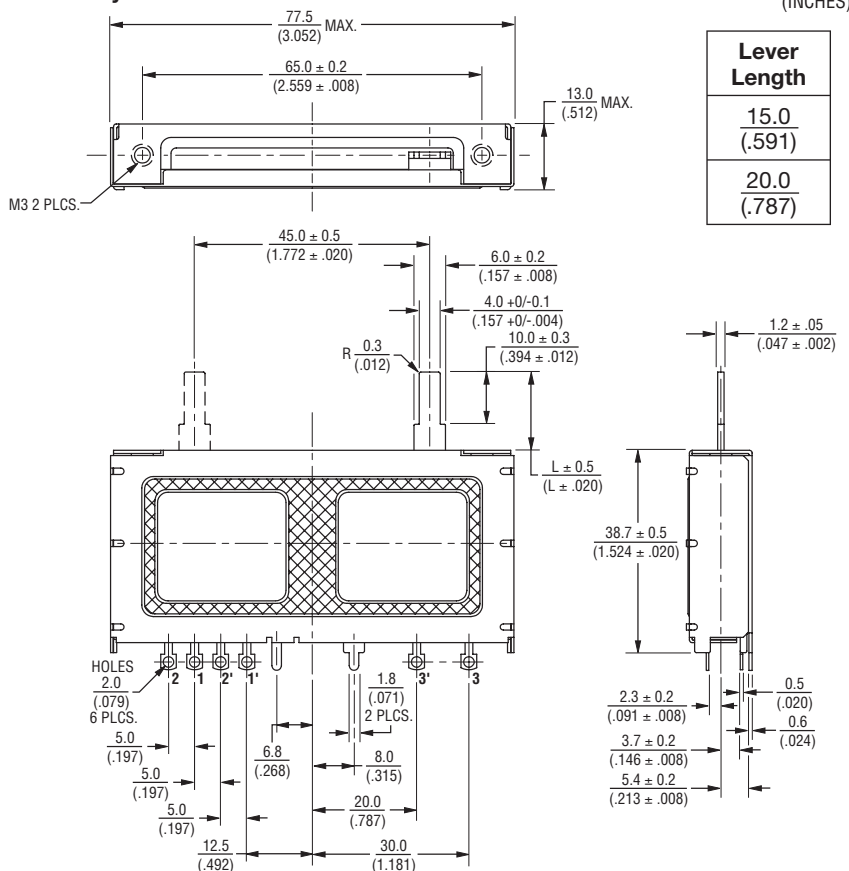
Operational Life ..... 100,000 cycles  
 TR Shift .....  $\pm 15$  %  
 Operating Temperature Range  
 .....  $-10$  °C to  $+55$  °C  
 Resistance to Solder Heat .....  $\pm 5$  %

### Mechanical Characteristics

Mechanical Travel ..... Length  $\pm 0.5$  mm  
 Operating Force ..... 60 gf  
 Stop Strength ..... 5 kgf min.  
 Shaft Axial Force ..... 10 kgf min.  
 Shaft Wobble..  $2(2 \times L/25)$  mm p-p max.  
 Soldering Condition  
 Manual .....  $300$  °C  $\pm 5$  °C for 3 sec.  
 Wave .....  $260$  °C  $\pm 5$  °C for 5 sec.  
 Wash ..... Not recommended

### Product Dimensions

#### 45 mm Length of Travel Lever End Style "A"



### Standard Resistance Table

| Resistance (Ohms) | Resistance Code |
|-------------------|-----------------|
| 1,000             | 102             |
| 2,000             | 202             |
| 5,000             | 502             |
| 10,000            | 103             |
| 20,000            | 203             |
| 50,000            | 503             |
| 100,000           | 104             |
| 200,000           | 204             |
| 500,000           | 504             |
| 1,000,000         | 105             |

### How To Order

**PTS 45 - 0 2 L - 103 B2**

Model Number  
 Designator  
 PTS = High Grade Slide Potentiometer

Length of Travel  
 45 = 45 mm  
 60 = 60 mm  
 01 = 100 mm

Lever End Style/Length  
 0 = Lever End Style "A" / 15 mm  
 1 = Lever End Style "T" / 8.2 mm  
 2 = Lever End Style "A" / 20 mm

No. of Gangs  
 1 = Single Gang  
 2 = Dual Gang

Mounting Type  
 L = Solder Lugs  
 P = PC Pins

Resistance Code  
 (See Standard Resistance Table)

Resistance Taper (See Taper Charts)  
 Taper Series followed by Curve Number

\*RoHS Directive 2002/95/EC Jan 27 2003 including Annex Specifications are subject to change without notice. Customers should verify actual device performance in their specific applications.

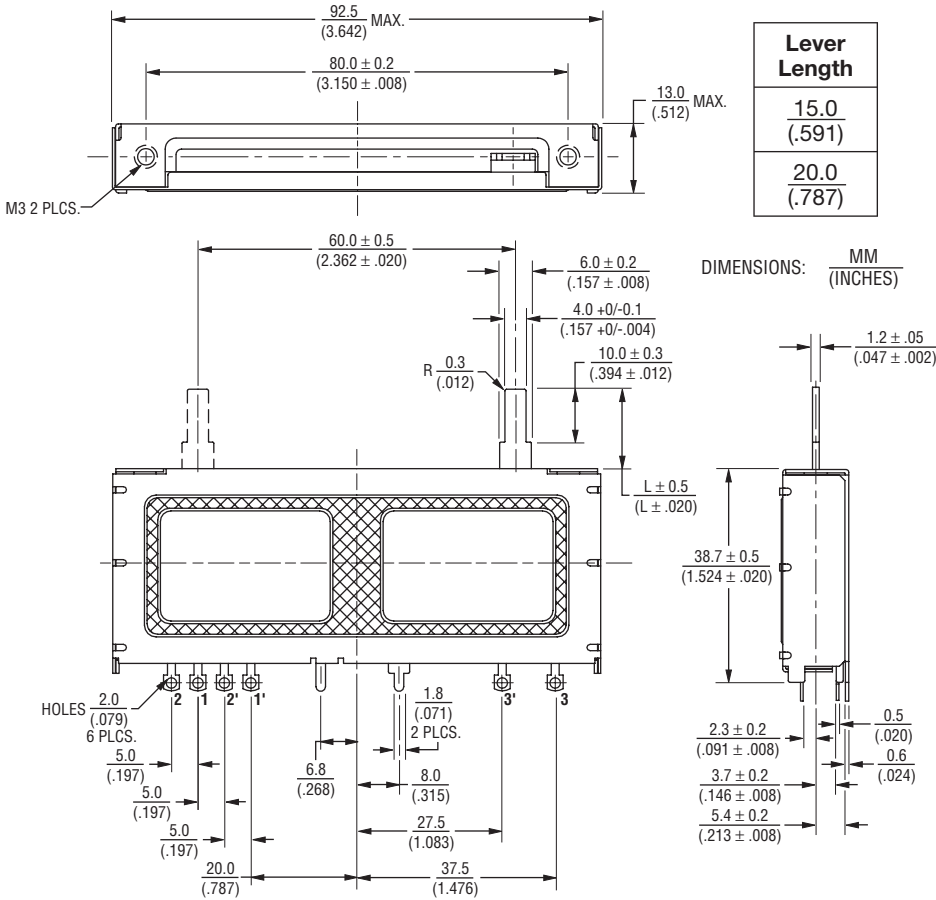
# Applications

- Professional mixing consoles
- Professional outboard gear

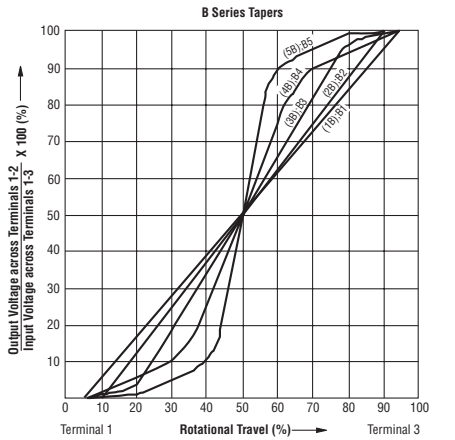
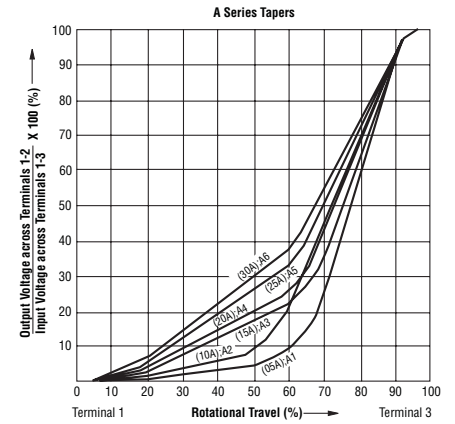
## PTS Series High Grade Slide Potentiometer **BOURNS®**

### Product Dimensions

60 mm Length of Travel  
Lever End Style "A"

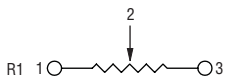


### Tapers

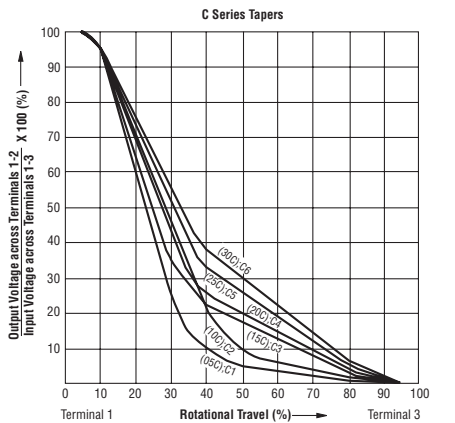
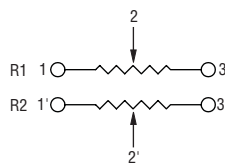


### Schematics

Single Gang



Dual Gang



Specifications are subject to change without notice.  
Customers should verify actual device performance in their specific applications.



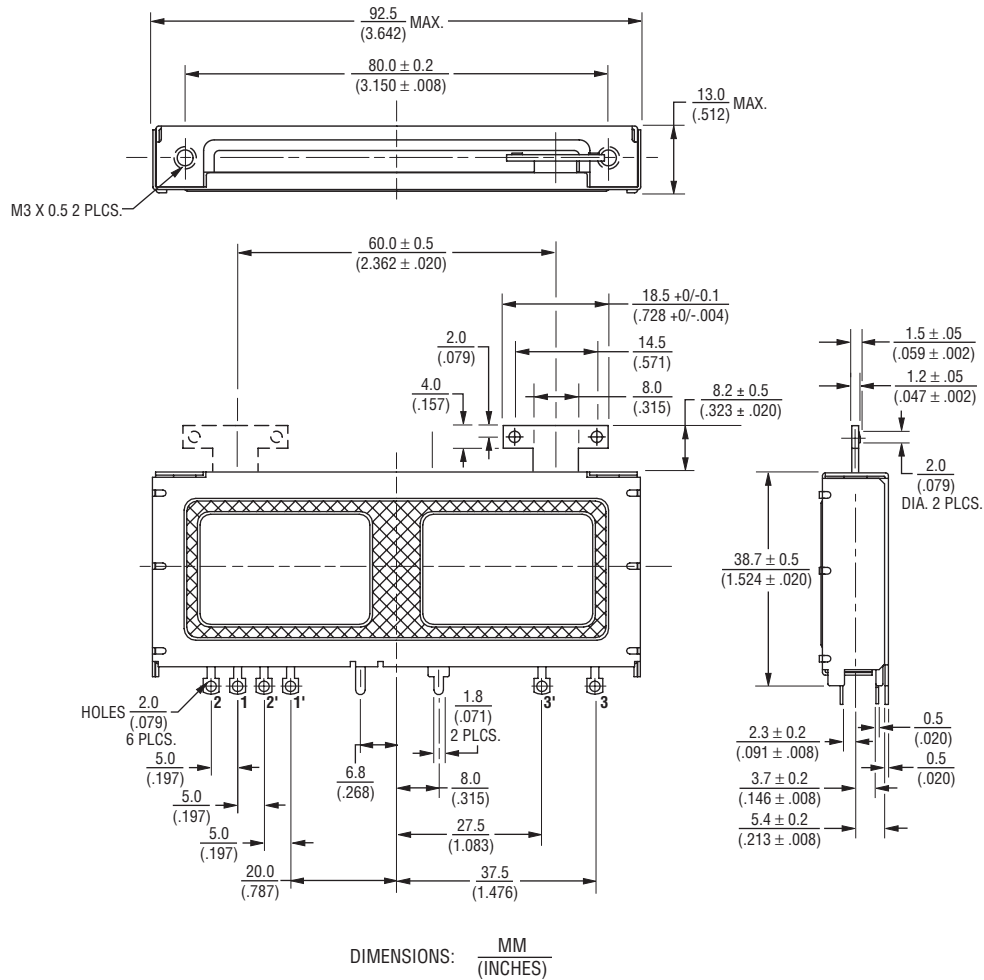


# PTS Series High Grade Slide Potentiometer

**BOURNS®**

## Product Dimensions

60 mm Length of Travel  
Lever End Style "T"



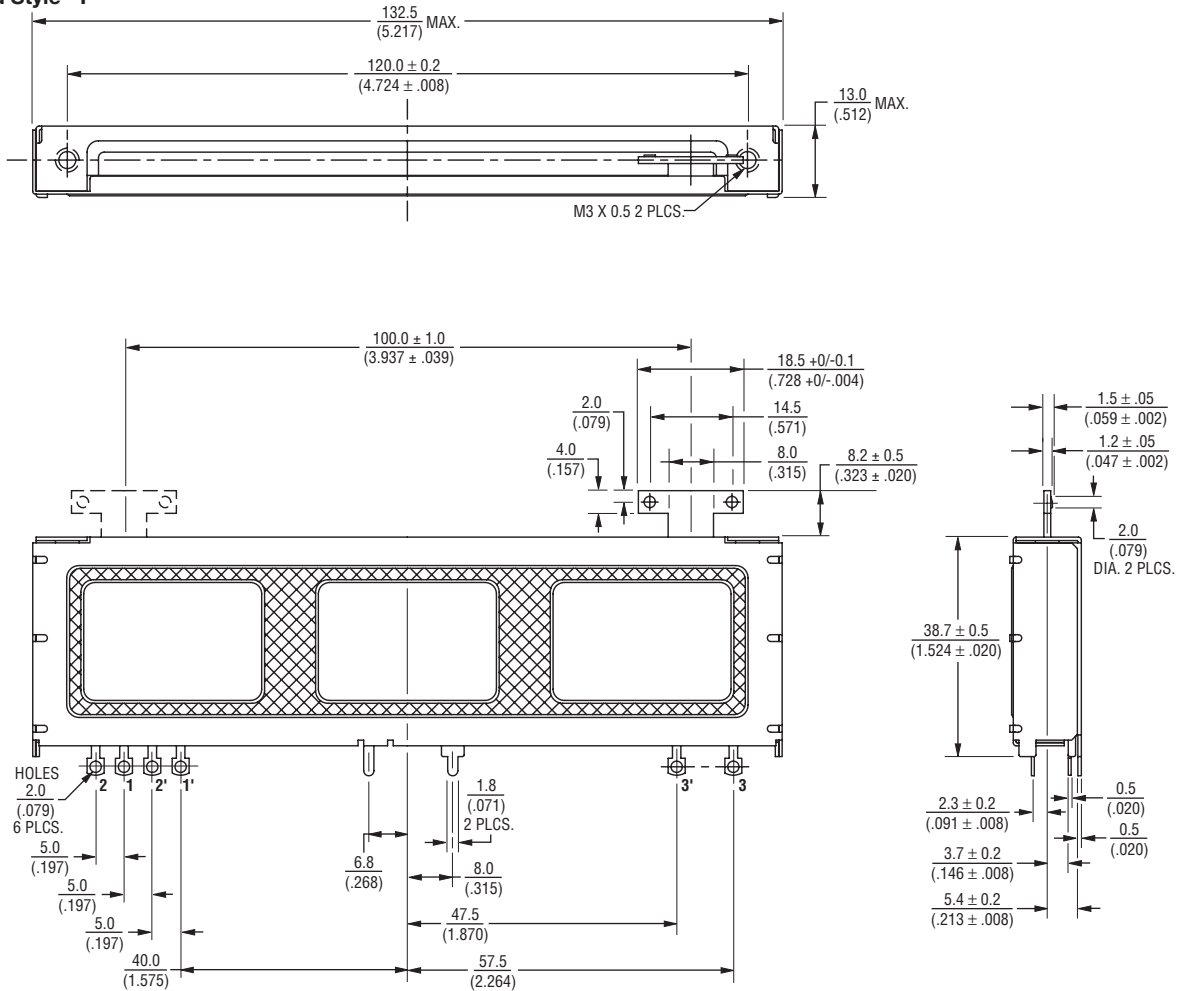
Specifications are subject to change without notice.  
Customers should verify actual device performance in their specific applications.

# PTS Series High Grade Slide Potentiometer

**BOURNS®**

## Product Dimensions

100 mm Length of Travel  
Lever End Style "T"



DIMENSIONS:  $\frac{\text{MM}}{\text{(INCHES)}}$

REV. 02/10

Specifications are subject to change without notice.  
Customers should verify actual device performance in their specific applications.