

HOW TO ORDER

- Carbon resistive element.
- Dust proof enclosure.
- Shielded versions.
- Stackable.
- Upon request:
 - Cut track at initial or final position.
 - Taps

MECHANICAL SPECIFICATIONS

- Mechanical travel: 40 mm. ± 1 mm.
- Electrical travel: 37 mm. ± 1 mm.
- Sliding force: 1 to 3 N (3.6 to 10 oz)
- Stop torque force: > 50 N (179 oz)

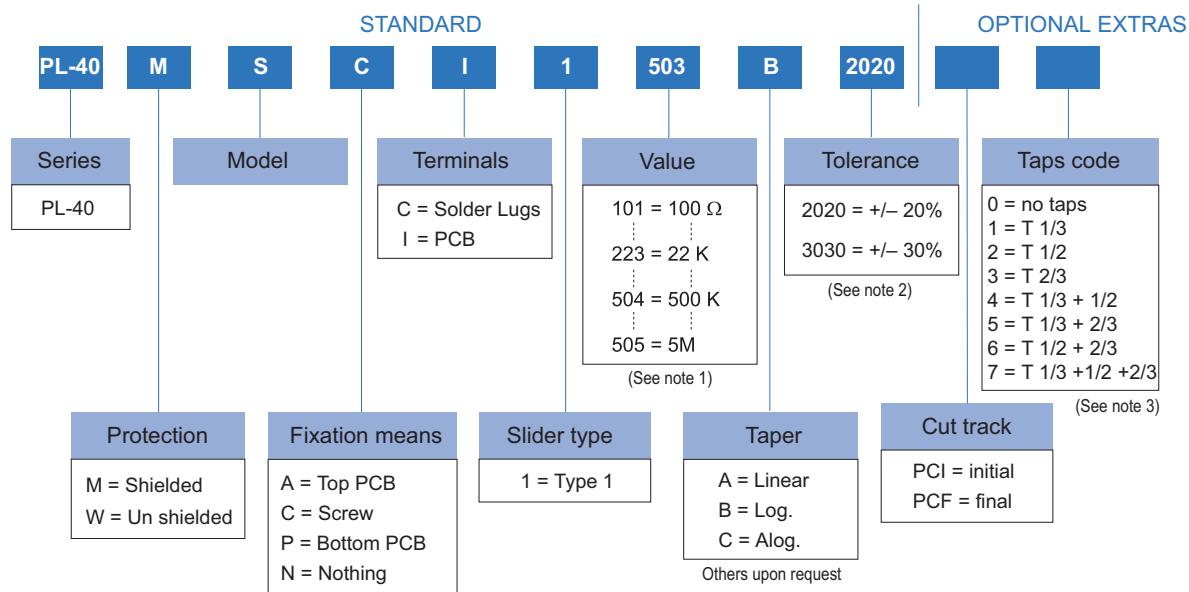
ELECTRICAL SPECIFICATIONS

- Range of values (*)
 $100\Omega \leq R_n \leq 5\text{ M}$ (Decad. 1.0 - 2.0 - 2.2 - 2.5 - 4.7 - 5.0)
- Tolerance (*): $100\Omega \leq R_n \leq 1\text{M}\Omega$ $\pm 20\%$
 $1\text{M}\Omega < R_n \leq 5\text{M}\Omega$ $\pm 30\%$
- Max. Voltage: 500 VDC (lin) 350 VDC (no lin)
- Nominal Power 50°C (122°F)
 0.3 W (lin) 0.15 W (no lin)
- Taper (*) (Log. & Alog. only $R_n > 1\text{K}$) Lin ; Log; Alog.
- Residual resistance: $\leq 0.5\%$ R_n (5Ω min.)
- Equivalent Noise Resistance: $\leq 3\%$ R_n (3Ω min.)
- Operating temperature**: $-25^\circ\text{C} + 70^\circ\text{C}$ ($-13^\circ\text{F} + 158^\circ\text{F}$)

* Others upon request

** Up to 85°C depending on application

HOW TO ORDER



NOTES:

(1) VALUE: Code: 10 1 100 Ω
 Number of zeros
 2 first digits of the value.

(2) TOLERANCE (non standard), upon request. Example code: +15 15 20
 -20
 negative tolerance
 positive tolerance

(3) 1,2,3,4,5,6,7 Upon request

NOTE: The information contained here should be used for reference purposes only.

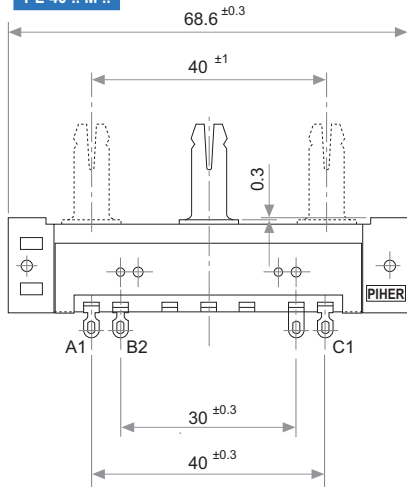
PT-40 W S C I 1 + DRAWING NUMBER (Max. 16 digits)

Cut track No

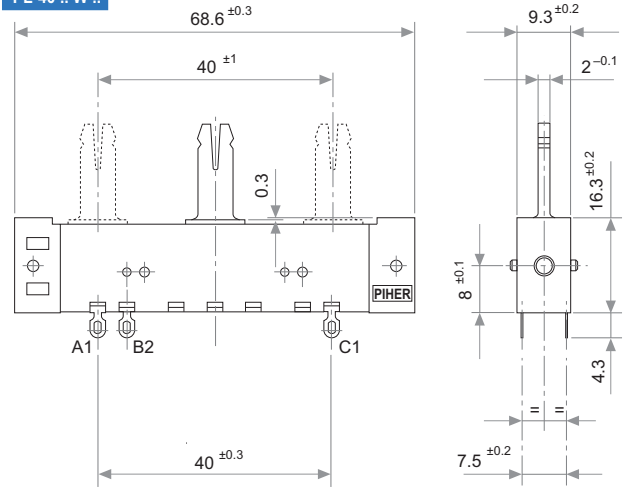
This way of ordering should be used for options which are not included in the "How to order" standard and optional extras.

PROTECTION

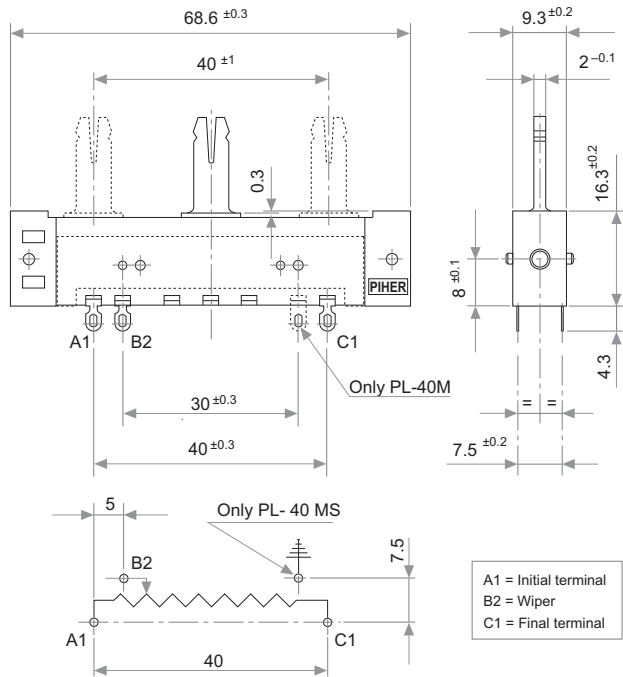
PL-40 .. M ..



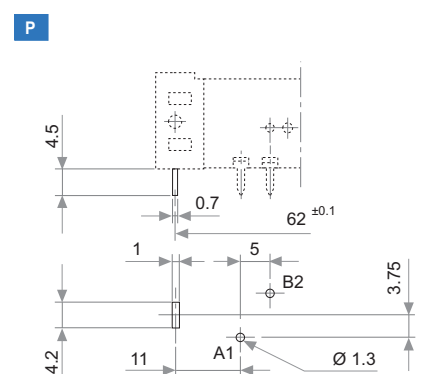
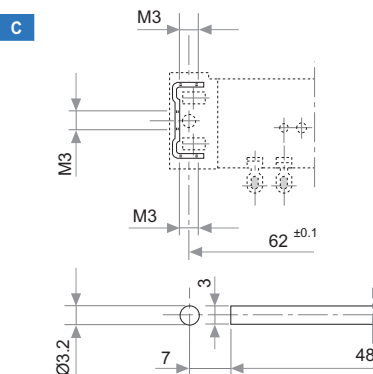
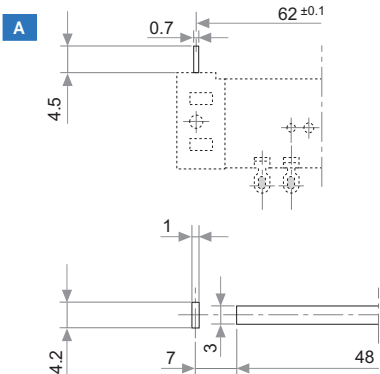
PL-40 .. W ..



MODEL

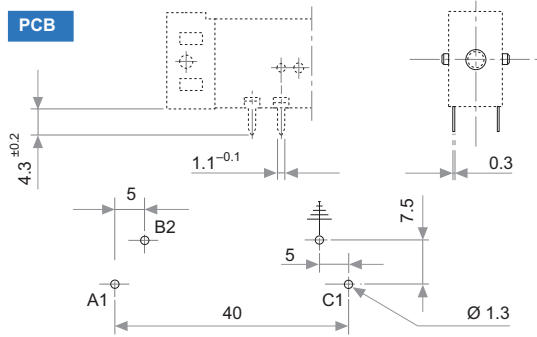


FIXATIONS MEANS

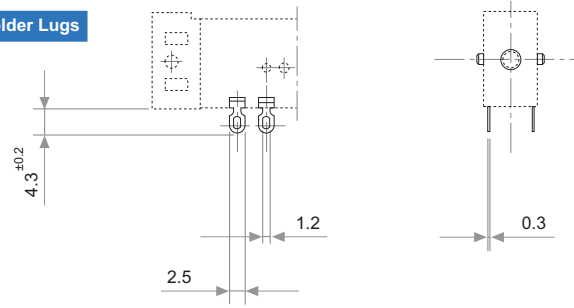


TERMINALS

PCB

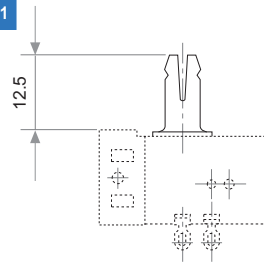


Solder Lugs

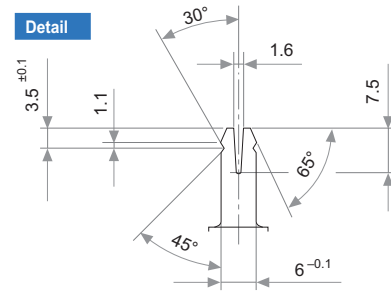


SLIDER

Type 1

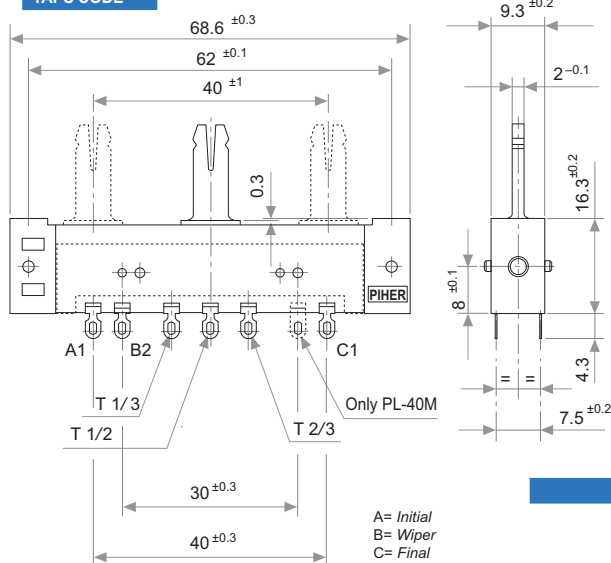


Detail

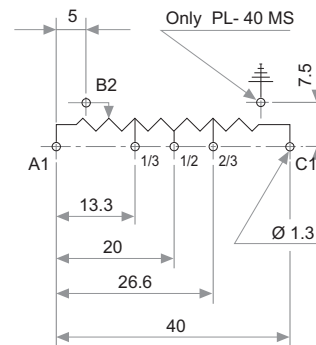


OPTIONS

TAPS CODE



A1 = Initial terminal
B2 = Wiper
C1 = Final terminal



SCHEME CUT-TRACK PL-40



TESTS

		TYPICAL VARIATIONS
ELECTRICAL LIFE	1.000 h. @ 50°C ; 0.3W	± 5 %
MECHANICAL LIFE	25.000 cycles	± 3 %
T C R	-25°C ; 70°C (13° F, + 158° F)	± 300 ppm/°C (Rn < 100 KΩ)
THERMAL CYCLING	16 h. @ 85°C ; 2h. @ -25°C	± 2.5 %
DAMP HEAT	500 h. @ 40°C @ 95% HR	± 5 %
VIBRATION (for each plane X,Y,Z)	2 h. @ 10 Hz ... 55 Hz.	± 2 %

PACKAGING

Polystyrene tray of 100 units.