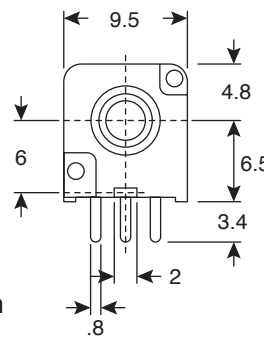
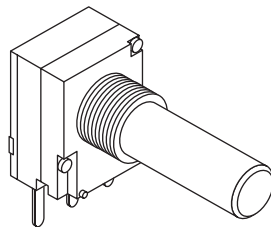
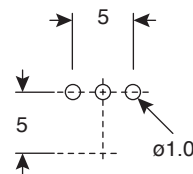
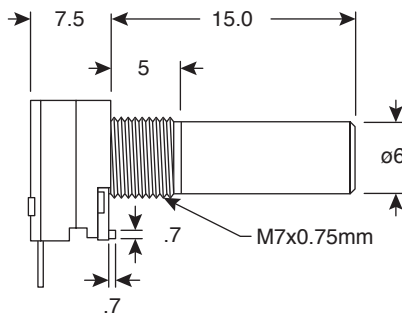




9mm Potentiometer
RD901-20-15R-XXX



Dimensions: mm



Specifications:

- Taper: Linear, PC Mount
- Rated Wattage: 0.05W
- Insulation Resistance: >100MΩ @ 250VDC
- Breakdown Voltage: 300VAC for 1 minute
- Rotation Angle: 300°±5°
- Rotation Torque: 20~250g/cm
- Values: 1K, 5K, 10K, 50K, 100K
- Tolerance: ±20%
- Rated Voltage: 50VAC

Tol. Unless Otherwise Stated

Less Than	10	±0.3
Above	10-30	±0.5
Above	30~100	±1.0
Above	- - -	±5°

XXX	Value	Taper
B13	1K	Linear
B53	5K	Linear
B14	10K	Linear
B54	50K	Linear
B15	100K	Linear