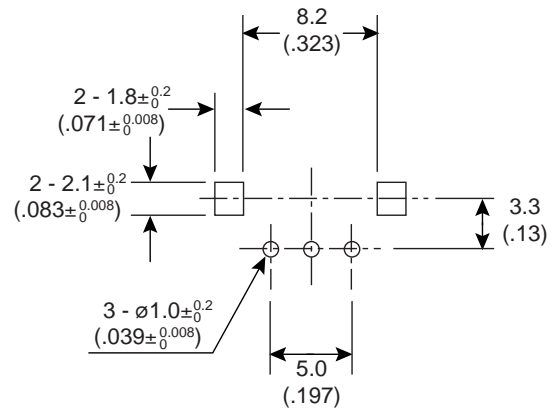
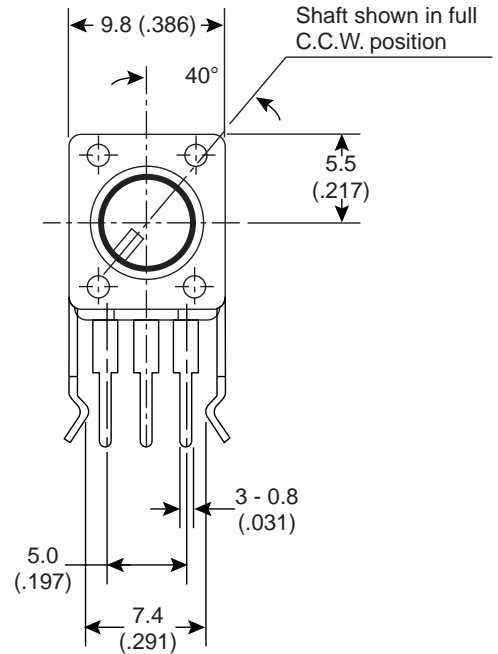
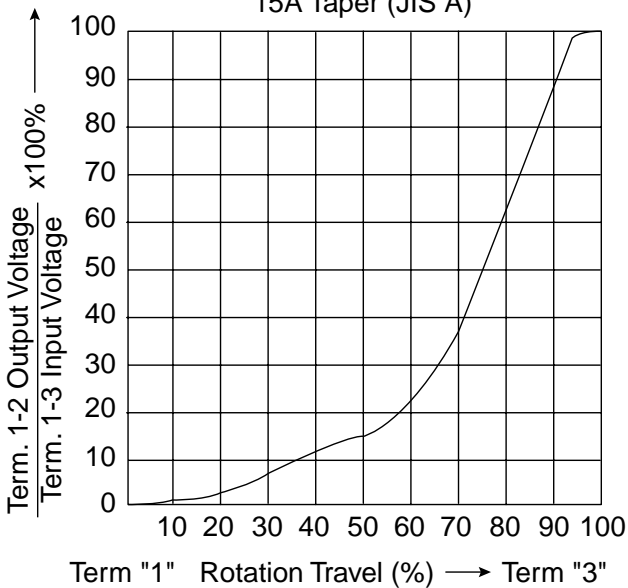


Standard Resistance Taper

15A Taper (JIS A)



**Specifications:**

- Mechanical Characteristics:**
    - Total rotational angle:  $280^\circ \pm 5^\circ$
    - Rotational torque: 10~100gf
    - Shaft stop strength: 3 kgf
    - Starting torque: 10~100gf-cm
  - Electrical Characteristics:**
    - Tolerance:  $\pm 30\%$
    - Rated wattage: 0.05W
    - Maximum working voltage: AC 50V, DC20V
    - Noise (refer to JIS C6443): > 100 mV
    - Insulation resistance: 100M $\Omega$  min. @ DC250 volts
    - Taper: Audio
    - V.R. life: 10,000 Cycles
    - Click life: 5,000 Cycles
- Note: Meet or exceed JISC 6443 Requirements