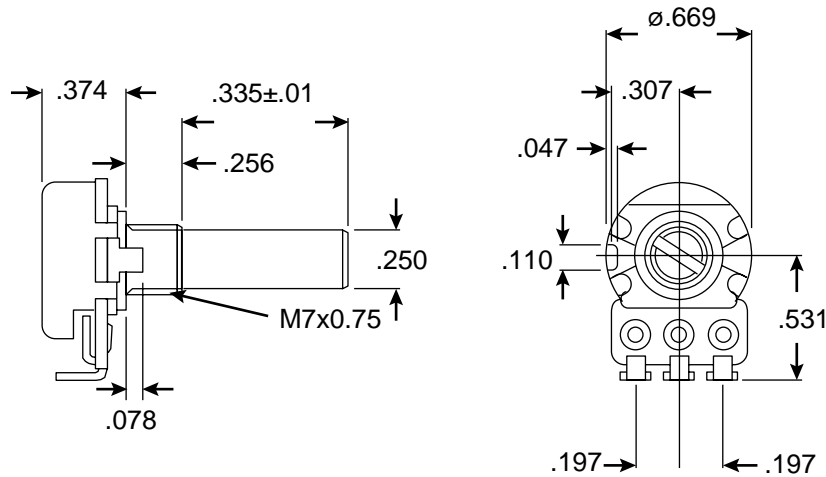


Dimensions (In.)



Mechanical:

- Total rotation angle: 300°C±5°C
- Rotation torque: 20~200gf.cm
- Shaft stop strength: More than 6Kgf.cm/min.
- Click position: Center cm 11 positions
- Click torque: 100~400 gf.cm

Electrical Specifications:

- Rated wattage: 0.2W
- Rated voltage: 200V
- Insulation resistance: More than 100MΩ at 500VDC
- Withstand resistance: 500VAC, 1 minute
- Resistance Taper: Linear