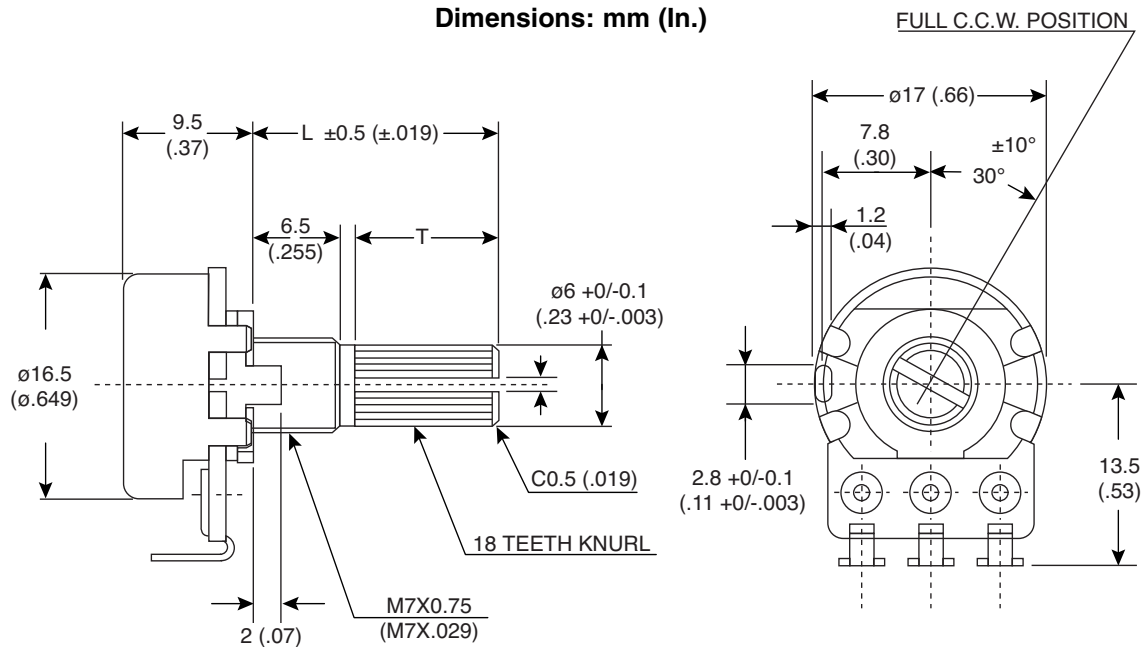




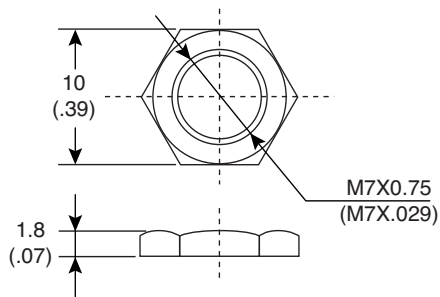
**Audio Knurled 250K
Potentiometer w/ Solder Lugs**
313-1520-250K

Dimensions: mm (In.)



NUT 1 PC

WASHER 1 PC t=0.4 (t=.015)



Mechanical Specifications:

- Tolerances (unless otherwise stated):
 Less than 10: ±0.3
 Above 10 ~ 50: ±0.5
 Above 80 ~ 100: ±1.0
 Above: ±0°

Materials:

- Bushing: Zinc alloy diecasting