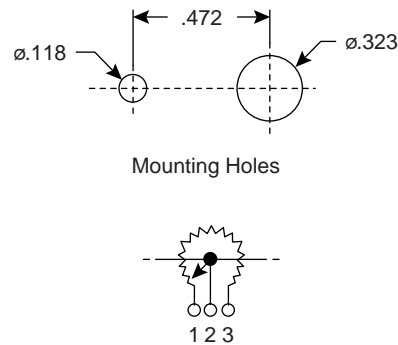
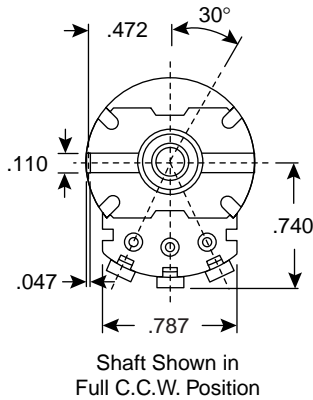


Dimensions (In.)
(except where noted)



Specifications:

- Resistance tolerance: $\pm 20\%$
- Taper: linear(31VA series, 31VC series), audio(31VJ series)
- Maximum working voltage: 500V(linear taper)
250V(audio taper)
- Power Dissipation: .5W(linear taper)
.25W(audio taper)
- Insulation resistance: $> 100M\Omega @ 500VDC$
- Minimum resistance: if total R $< 2K$ then $\leq 20\Omega$
if total R $> 2K$ then $\leq 100\Omega$
if total R $> 1m$ then $\leq 200\Omega$
- Rotation life: 15,000 cycles
- Resistive element: carbon composition
- Electrical rotation angle: $285^\circ \pm 5^\circ$
- Rotation angle: $300^\circ \pm 5^\circ$
- Rotation torque: 20~200 gf.cm
- Shaft stop strength: $> 6Kgf.cm/min$
- Terminals: solder lugs
- Shaft length*: .335"(31VA series, 31VJ series), 1.32"(31VC series)