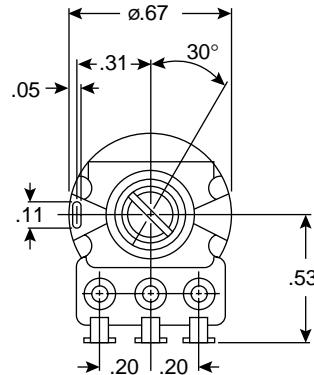
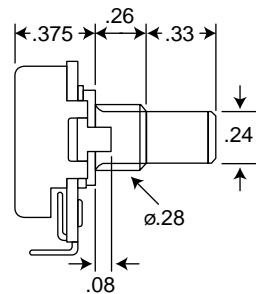


Dimensions (In.)



Shaft shown in full
C.C.W. position

Specifications:

- Rated wattage: 0.2W
- Rated voltage: 200V
- Insulation resistance: >100M Ω @ 500VDC
- Breakdown voltage: 500VAC for 1 minute
- Rotation life: 15,000 cycles
- Element material: carbon
- Wiper tracking: $\pm 10\%$
- Nominal tolerance: $\pm 20\%$
- Rotational noise: 47mV
- End resistance: 20 Ω @ each end
- Shaft material: zinc alloy
- Case material: steel
- Case finish: zinc plate
- Total rotation angle: $300^\circ \pm 5^\circ$
- Shaft stop strength: 6Kgf. cm/min.
- Resistance taper: linear

Mouser Stock No.	Value (Ω)
313-2000-Series	1K, 2K, 5K, 10K, 25K, 50K, 100K, 250K, 500K, 1M

Your source for quality electronics. Toll-free full service

(800) 346-6873

<http://www.mouser.com>