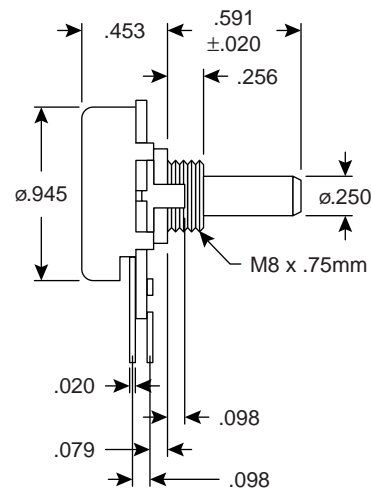


Dimensions (In.)
(except where noted)



Specifications:

- Type: PC mount
- Taper: linear
- Withstand voltage: 500VAC for 1 minute
- Rated wattage: .5W
- Resistance tolerance: $\pm 20\%$
- Rated voltage: 500V
- Insulation resistance: $> 100M\Omega$ @ 500VDC
- Minimum resistance: if total resistance $< 2K$ then $> 20\Omega$
if total resistance $> 2K$ then $> 100\Omega$
- Rotational noise(20VDC between terminals 1 & 3): $< 47mV$
@ 30 cycles per minute
- Rotation angle: $300^\circ \pm 5^\circ$
- Rotational torque: 20~200gf.cm
- Anti-rotational torque: 9Kgf.cm
- Rotational life: 15,000 cycles
- Values: 1K, 5K, 10K, 50K, 100K, 200K, 500K, 1M