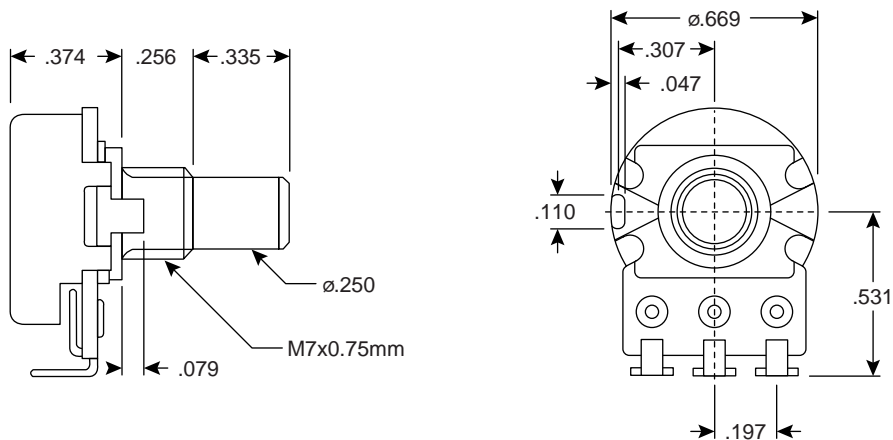


Dimensions (In.)
(except where noted)



Specifications:

- Rated wattage: .125W
- Rated Voltage: 200V
- Insulation resistance: >100M Ω @ 500VDC
- Withstand voltage: 500VAC for 1 minute
- Rotational life: 15,000 cycles
- Element material: carbon
- Wiper tracking: $\pm 10\%$
- Tolerance: $\pm 20\%$ nom.
- Rotational noise: 47mV
- End resistance: 20 Ω , each end
- Shaft material: zinc alloy
- Case material: zinc plated steel
- Rotation angle: 300 $^{\circ} \pm 5^{\circ}$
- Rotation torque: 20-200gfm
- Shaft stop strength: 6Kgfcmin.
- Resistance taper: linear
- Values: 1K, 2K, 5K, 10K, 25K, 50K, 100K, 250K, 500K, 1M, 1.2M